

Clavinova[®]

CLP-320 OWNER'S MANUAL

IMPORTANT

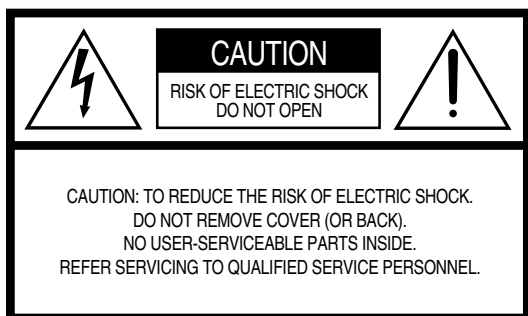
—Check your power supply—

Make sure that your local AC mains voltage matches the voltage specified on the name plate on the bottom panel. In some areas a voltage selector may be provided on the bottom panel of the main keyboard unit near the power cord. Make sure that the voltage selector is set for the voltage in your area. The voltage selector is set at 240V when the unit is initially shipped. To change the setting use a "minus" screwdriver to rotate the selector dial so that the correct voltage appears next to the pointer on the panel.

For information on assembling the keyboard stand, refer to the instructions at the end of this manual.

SPECIAL MESSAGE SECTION

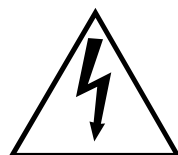
PRODUCT SAFETY MARKINGS: Yamaha electronic products may have either labels similar to the graphics shown below or molded/stamped facsimiles of these graphics on the enclosure. The explanation of these graphics appears on this page. Please observe all cautions indicated on this page and those indicated in the safety instruction section.



See bottom of Keyboard enclosure for graphic symbol markings.



The exclamation point within the equilateral triangle is intended to alert the user to the presence of important operating and maintenance (servicing) instructions in the literature accompanying the product.



The lightning flash with arrowhead symbol, within the equilateral triangle, is intended to alert the user to the presence of uninsulated “dangerous voltage” within the product’s enclosure that may be of sufficient magnitude to constitute a risk of electrical shock.

IMPORTANT NOTICE: All Yamaha electronic products are tested and approved by an independent safety testing laboratory in order that you may be sure that when it is properly installed and used in its normal and customary manner, all foreseeable risks have been eliminated. DO NOT modify this unit or commission others to do so unless specifically authorized by Yamaha. Product performance and/or safety standards may be diminished. Claims filed under the expressed warranty may be denied if the unit is/has been modified. Implied warranties may also be affected.

SPECIFICATIONS SUBJECT TO CHANGE: The information contained in this manual is believed to be correct at the time of printing. However, Yamaha reserves the right to change or modify any of the specifications without notice or obligation to update existing units.

ENVIRONMENTAL ISSUES: Yamaha strives to produce products that are both user safe and environmentally friendly. We sincerely believe that our products and the production methods used to produce them, meet these goals. In keeping with both the letter and the spirit of the law, we want you to be aware of the following:

92-469 ① (bottom)

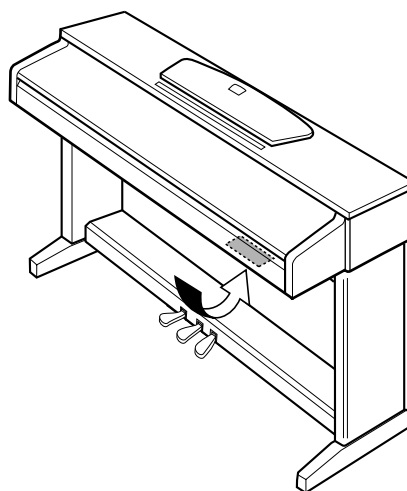
Battery Notice: This product MAY contain a small non-rechargeable battery which (if applicable) is soldered in place. The average life span of this type of battery is approximately five years. When replacement becomes necessary, contact a qualified service representative to perform the replacement.

Warning: Do not attempt to recharge, disassemble, or incinerate this type of battery. Keep all batteries away from children. Dispose of used batteries promptly and as regulated by applicable laws. Note: In some areas, the servicer is required by law to return the defective parts. However, you do have the option of having the servicer dispose of these parts for you.

Disposal Notice: Should this product become damaged beyond repair, or for some reason its useful life is considered to be at an end, please observe all local, state, and federal regulations that relate to the disposal of products that contain lead, batteries, plastics, etc.

NOTICE: Service charges incurred due to lack of knowledge relating to how a function or effect works (when the unit is operating as designed) are not covered by the manufacturer’s warranty, and are therefore the owners responsibility. Please study this manual carefully and consult your dealer before requesting service.

NAME PLATE LOCATION: The graphic below indicates the location of the name plate. The model number, serial number, power requirements, etc., are located on this plate. You should record the model number, serial number, and the date of purchase in the spaces provided below and retain this manual as a permanent record of your purchase.

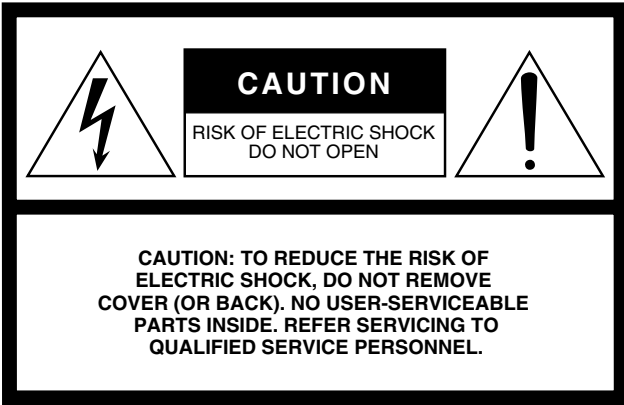


CLP-320

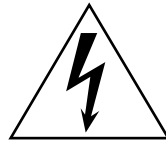
Model _____

Serial No. _____

Purchase Date _____



Explanation of Graphical Symbols



The lightning flash with arrowhead symbol within an equilateral triangle is intended to alert the user to the presence of uninsulated “dangerous voltage” within the product’s enclosure that may be of sufficient magnitude to constitute a risk of electric shock to persons.



The exclamation point within an equilateral triangle is intended to alert the user to the presence of important operating and maintenance (servicing) instructions in the literature accompanying the product.

The above warning is located on the bottom side of the unit.

IMPORTANT SAFETY INSTRUCTIONS

- 1 Read these instructions.
- 2 Keep these instructions.
- 3 Heed all warnings.
- 4 Follow all instructions.
- 5 Do not use this apparatus near water.
- 6 Clean only with dry cloth.
- 7 Do not block any ventilation openings. Install in accordance with the manufacturer’s instructions.
- 8 Do not install near any heat sources such as radiators, heat registers, stoves, or other apparatus (including amplifiers) that produce heat.
- 9 Do not defeat the safety purpose of the polarized or grounding-type plug. A polarized plug has two blades with one wider than the other. A grounding type plug has two blades and a third grounding prong. The wide blade or the third prong are provided for your safety. If the provided plug does not fit into your outlet, consult an electrician for replacement of the obsolete outlet.
- 10 Protect the power cord from being walked on or pinched particularly at plugs, convenience receptacles, and the point where they exit from the apparatus.

- 11 Only use attachments/accessories specified by the manufacturer.
- 12 Use only with the cart, stand, tripod, bracket, or table specified by the manufacturer, or sold with the apparatus. When a cart is used, use caution when moving the cart/apparatus combination to avoid injury from tip-over.
- 13 Unplug this apparatus during lightning storms or when unused for long periods of time.
- 14 Refer all servicing to qualified service personnel. Servicing is required when the apparatus has been damaged in any way, such as power-supply cord or plug is damaged, liquid has been spilled or objects have fallen into the apparatus, the apparatus has been exposed to rain or moisture, does not operate normally, or has been dropped.



WARNING

TO REDUCE THE RISK OF FIRE OR ELECTRIC SHOCK, DO NOT EXPOSE THIS APPARATUS TO RAIN OR MOISTURE.

(UL60065_03)

PRECAUTIONS

PLEASE READ CAREFULLY BEFORE PROCEEDING

* Please keep this manual in a safe place for future reference.



WARNING

Always follow the basic precautions listed below to avoid the possibility of serious injury or even death from electrical shock, short-circuiting, damages, fire or other hazards. These precautions include, but are not limited to, the following:

Power supply/Power cord

- Only use the voltage specified as correct for the instrument. The required voltage is printed on the name plate of the instrument.
- Check the electric plug periodically and remove any dirt or dust which may have accumulated on it.
- Use only the supplied power cord/plug.
- Do not place the power cord near heat sources such as heaters or radiators, and do not excessively bend or otherwise damage the cord, place heavy objects on it, or place it in a position where anyone could walk on, trip over, or roll anything over it.

Do not open

- Do not open the instrument or attempt to disassemble the internal parts or modify them in any way. The instrument contains no user-serviceable parts. If it should appear to be malfunctioning, discontinue use immediately and have it inspected by qualified Yamaha service personnel.

Water warning

- Do not expose the instrument to rain, use it near water or in damp or wet conditions, or place containers on it containing liquids which might spill into any openings. If any liquid such as water seeps into the instrument, turn off the power immediately and unplug the power cord from the AC outlet. Then have the instrument inspected by qualified Yamaha service personnel.
- Never insert or remove an electric plug with wet hands.

Fire warning

- Do not put burning items, such as candles, on the unit.
A burning item may fall over and cause a fire.

If you notice any abnormality

- If the power cord or plug becomes frayed or damaged, or if there is a sudden loss of sound during use of the instrument, or if any unusual smells or smoke should appear to be caused by it, immediately turn off the power switch, disconnect the electric plug from the outlet, and have the instrument inspected by qualified Yamaha service personnel.



CAUTION

Always follow the basic precautions listed below to avoid the possibility of physical injury to you or others, or damage to the instrument or other property. These precautions include, but are not limited to, the following:

Power supply/Power cord

- When removing the electric plug from the instrument or an outlet, always hold the plug itself and not the cord. Pulling by the cord can damage it.
- Remove the electric plug from the outlet when the instrument is not to be used for extended periods of time, or during electrical storms.
- Do not connect the instrument to an electrical outlet using a multiple-connector. Doing so can result in lower sound quality, or possibly cause overheating in the outlet.

Assembly

- Read carefully the attached documentation explaining the assembly process. Failure to assemble the instrument in the proper sequence might result in damage to the instrument or even injury.

Location

- Do not expose the instrument to excessive dust or vibrations, or extreme cold or heat (such as in direct sunlight, near a heater, or in a car during the day) to prevent the possibility of panel disfiguration or damage to the internal components.
- Do not use the instrument in the vicinity of a TV, radio, stereo equipment, mobile phone, or other electric devices. Otherwise, the instrument, TV, or radio may generate noise.
- Do not place the instrument in an unstable position where it might accidentally fall over.
- Before moving the instrument, remove all connected cables.
- When setting up the product, make sure that the AC outlet you are using is easily accessible. If some trouble or malfunction occurs, immediately turn off the power switch and disconnect the plug from the outlet. Even when the power switch is turned off, electricity is still flowing to the product at the minimum level. When you are not using the product for a long time, make sure to unplug the power cord from the wall AC outlet.

Connections

- Before connecting the instrument to other electronic components, turn off the power for all components. Before turning the power on or off for all components, set all volume levels to minimum. Also, be sure to set the volumes of all components at their minimum levels and gradually raise the volume controls while playing the instrument to set the desired listening level.

Maintenance

- In the case of a model with a polished finish, gently remove dust and dirt with a soft cloth. Do not wipe too hard since small particles of dirt can scratch the instrument's finish.
- When cleaning the instrument, use a soft, dry or slightly damp cloth. Do not use paint thinners, solvents, cleaning fluids, or chemical-impregnated wiping cloths.

Handling caution

- Take care that the key cover does not pinch your fingers, and do not insert a finger or hand in any gaps on the key cover or instrument.
- Never insert or drop paper, metallic, or other objects into the gaps on the key cover, panel or keyboard. If this happens, turn off the power immediately and unplug the power cord from the AC outlet. Then have the instrument inspected by qualified Yamaha service personnel.
- Do not place vinyl, plastic or rubber objects on the instrument, since this might discolor the panel or keyboard.

- In the case of a model with a polished finish, bumping the surface of the instrument with metal, porcelain, or other hard objects can cause the finish to crack or peel. Use caution.
- Do not rest your weight on, or place heavy objects on the instrument, and do not use excessive force on the buttons, switches or connectors.
- Do not use the instrument/device or headphones for a long period of time at a high or uncomfortable volume level, since this can cause permanent hearing loss. If you experience any hearing loss or ringing in the ears, consult a physician.

Using the bench (If included)

- Do not place the bench in an unstable position where it might accidentally fall over.
- Do not play carelessly with or stand on the bench. Using it as a tool or step-ladder or for any other purpose might result in accident or injury.
- Only one person should sit on the bench at a time, in order to prevent the possibility of accident or injury.
- If the bench screws become loose due to extensive long-term use, tighten them periodically using the included tool.

Saving data

Saving and backing up your data

- Data in the instrument's internal memory can be lost due to operational errors or malfunction. Be sure to save any important data to external media via a computer connected to the instrument. (page 31)

Yamaha cannot be held responsible for damage caused by improper use or modifications to the instrument, or data that is lost or destroyed.

Always turn the power off when the instrument is not in use.

Even when the power switch is turned off, electricity is still flowing to the instrument at the minimum level. When you are not using the instrument for a long time, make sure you unplug the AC power plug from the wall AC outlet.

Welcome

Thank you for purchasing the Yamaha Clavinova! We recommend that you read this manual carefully so that you can take full advantage of the advanced and convenient functions of your new Clavinova. We also recommend that you keep this manual in a safe, convenient place for future reference.

About the Documentation and Reference Materials for this Instrument

The documentation and reference materials for this instrument consist of the following:

Owner's Manual (this book)

Introduction (P2):

Please read this section first.

Reference (P15):

This section explains how to make detailed settings for the instrument's various functions.

Appendix (P40):

This section introduces specifications and other information.

Quick Operation Guide (separate sheet)

This Guide explains detailed operation of the functions assigned to the buttons and keyboard.

Data List

You can download various MIDI-related reference materials, such as the MIDI Data Format and MIDI Implementation Chart, from the **Yamaha Manual Library**.

Connect to the Internet, visit the following website, type the model name of your instrument (such as "CLP-320") in the Model Name text box, then click the Search button.

Yamaha Manual Library

<http://www.yamaha.co.jp/manual/>

- The illustrations as shown in this owner's manual are for instructional purposes only, and may be different from the ones on your instrument.

This product incorporates and bundles computer programs and contents in which Yamaha owns copyrights or with respect to which it has license to use others' copyrights. Such copyrighted materials include, without limitation, all computer software, style files, MIDI files, WAVE data, musical scores and sound recordings. Any unauthorized use of such programs and contents outside of personal use is not permitted under relevant laws. Any violation of copyright has legal consequences. **DON'T MAKE, DISTRIBUTE OR USE ILLEGAL COPIES.**

Copying of the commercially available musical data including but not limited to MIDI data and/or audio data is strictly prohibited except for your personal use.

Trademarks:

- Windows is a registered trademark of Microsoft® Corporation in the United States and other countries.
- The company names and product names in this manual are the trademarks or registered trademarks of their respective companies.

Accessories

- Owner's Manual (this book)
- Quick Operation Guide (separate sheet)
- "50 Greats for the Piano" (Music Book)
- AC Power cord
- Bench*

* Included or optional depending on locale.

■ Tuning

Unlike an acoustic piano, this instrument does not need to be tuned. It always stays perfectly in tune.

■ Transporting

If you move to another location, you can transport this instrument along with your other belongings. You can move the unit as it is (assembled) or you can disassemble the unit before moving.

Transport the keyboard horizontally. Do not lean it up against a wall or stand it up on its side. Do not subject the instrument to excessive vibration or shock.

Features

AWM Dynamic Stereo Sampling

The Yamaha Clavinova CLP-320 digital piano offers a rich and versatile range of sounds, which are created using Yamaha's proprietary sampling tone-generation system, "AWM Dynamic Stereo Sampling."

The AWM (Advanced Wave Memory) is a sampling system which creates sound close to that of an acoustic instrument by using digital technology to record the instrument sound and applying high-quality digital filter technology to the recorded audio samples.

The waveform of the sound created by playing the key of an acoustic piano differs depending on the playing strength from pianissimo to fortissimo. The AWM Dynamic Stereo Sampling can produce such dynamic nuances by recording samples of various playing strengths. The greater the number of samples used, the higher the expressive quality and potential becomes.

The piano voice "Grand Piano 1", features totally new sample recorded from a full-size concert grand piano. Each note in the sample has been adjusted meticulously so that the digital piano will play only the very best piano sounds. The piano voices are well-separated sounds featuring a fast attack and a satisfying response.

The "Grand Piano 1" voice features multiple wave samples for different velocities (Dynamic Sampling); that is, different samples are used depending on how fast or strong you strike the keys. Therefore, this voice expresses detailed dynamics and sounds much closer to a true acoustic piano.

GH(Graded Hammer) keyboard

A special Graded Hammer keyboard on the CLP-320, features graded key weight and response throughout the keyboard range. They respond to a heavier touch in the low range of the keyboard and a lighter touch in the higher range of the keyboard, thus providing natural grand-piano type playability. The matte finish of the black keys enhances keyboard's luxurious appearance. The Graded Hammer keyboard also offers superb playability for tremolo and other repetitive-striking techniques.

Table of Contents

Introduction

SPECIAL MESSAGE SECTION 2

About the Documentation and Reference Materials for this Instrument..... 6

Accessories 7

Features..... 8

Part Names and Functions..... 10

Before Using..... 12

Key Cover 12

Music Rest 12

Connecting the Power Cord..... 13

Turning the Power On..... 13

Setting the Volume..... 14

Using Headphones..... 14

Reference

Listening to the Demo Songs 15

Listening to 50 Piano Preset Songs 16

Listening to Songs Loaded from the Computer 17

Selecting & Playing Voices..... 18

Selecting Voices..... 18

Using the Pedals 19

Adding Variations to the Sound – Reverb 20

Layering Two Voices (Dual mode) 21

Transposition 22

Fine-tuning the Pitch..... 22

Using the Metronome..... 23

Adjusting the Keyboard Touch (Touch Sensitivity) 24

Recording your Performance..... 25

Playing Back Recorded Performance Data 26

Erasing Recorded Performance Data 26

Connecting MIDI Instruments 27

About MIDI 27

MIDI's Capability 27

Connecting a Computer 28

MIDI Functions 29

MIDI Transmit/Receive Channel Selection 29

Local Control ON/OFF 29

Program Change ON/OFF 30

Control Change ON/OFF 30

Transmitting Song Data between the Computer and the Clavinova..... 31

Loading Song Data from a Computer to the Clavinova 31

Transmitting Song Data from the Clavinova to a Computer 32

Backing up Data and Initializing the Settings . 32

Troubleshooting..... 33

Options..... 33

Keyboard Stand Assembly 34

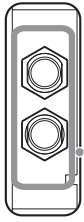
Index..... 38

Appendix

Specifications 40

Part Names and Functions

Bottom of the keyboard



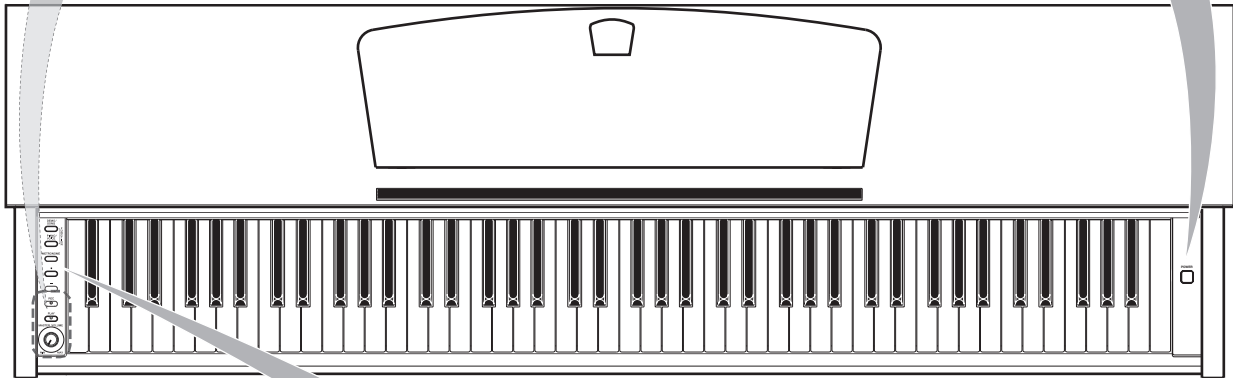
PHONES

[PHONES]

A set of standard stereo headphones can be plugged in here for private practice (page 14).

[POWER]

This power switch turns the power to the unit on or off. (page 13)



ENGLISH

[DEMO/SONG]

Listen to the playback of a demo song for each voice and 50 piano preset songs (page 15).

[METRONOME]

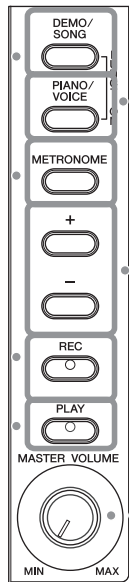
Control the metronome functions (page 23).

[REC]

Record your performance (page 25).

[PLAY]

Play back your recorded performance (page 26).



[PIANO/VOICE]

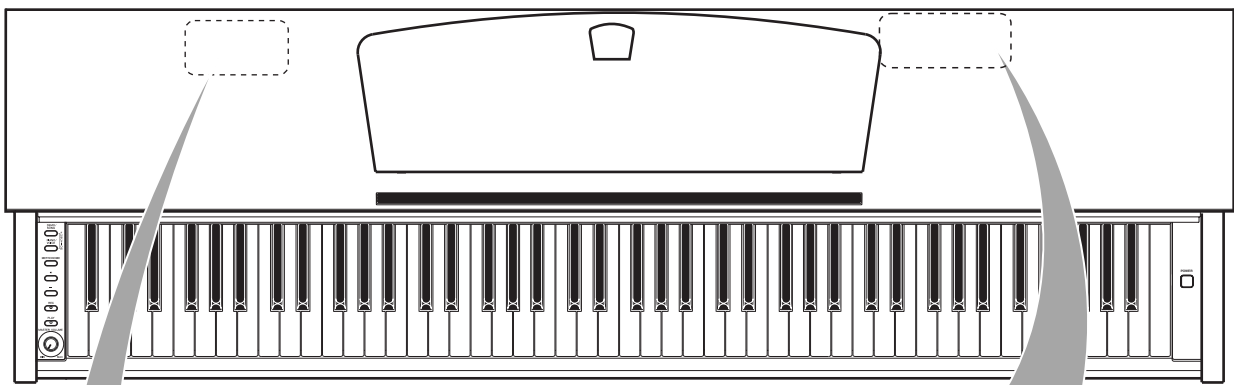
This button enables you to select any voice from 10 voices. (page 18)
You can also layer two voices (page 21), or select a type of reverb (page 20).

[+]/[-]

These buttons enable you to select a song to play back from voice demo songs or from “50 Greats for the Piano.” (pages 15, 16)
They also enable you to change the voice or tempo. (pages 18, 23)

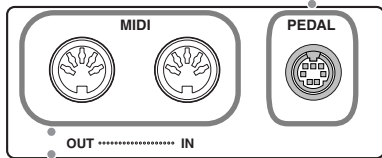
[MASTER VOLUME]

Adjust the volume level using this control (page 14).



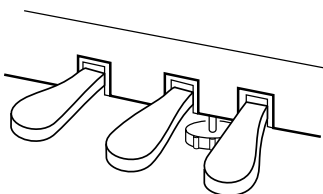
[PEDAL]
Connect the pedal cord (page 36).

[AC IN]
Connect the included power cord here. (page 13)



MIDI [IN/OUT]
Connect a MIDI device to this connector to use various MIDI functions. (Connecting MIDI Instruments—page 27)

Shows the MIDI [IN/OUT] and [PEDAL] jacks as seen when viewed from the rear of the instrument.



Pedals
Use these pedals when you want notes to sustain longer or to sound softer and round. (Using the Pedals—page 19)

Before Using

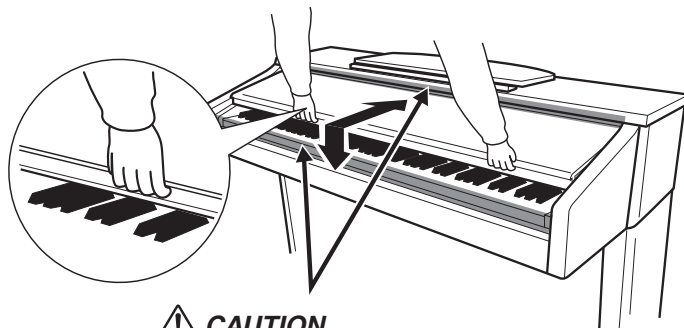
Key Cover

To open the key cover:

Lift the cover slightly, then push and slide it open.

To close the key cover:

Slide the cover toward you and gently lower the cover over the keys.



⚠ CAUTION

Hold the cover with both hands when opening or closing it. Do not release it until it is fully opened or closed. Be careful to avoid catching fingers (yours or others, especially children's) between the cover and main unit.

⚠ CAUTION

Be careful to avoid catching your fingers when opening or closing the cover.

⚠ CAUTION

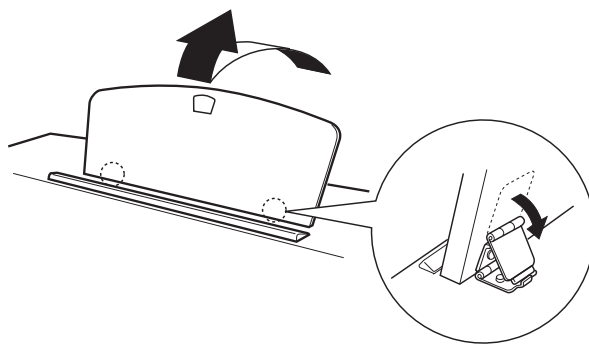
Do not place objects, such as a piece of metal or paper, on top of the key cover. Small objects placed on the key cover may fall inside the unit when the cover is opened and may be nearly impossible to remove. This could cause electric shock, short circuit, fire or other serious damage to the instrument.

If this happens, turn off the power immediately and unplug the power cord from the AC outlet. Then have the instrument inspected by qualified Yamaha service personnel.

Music Rest

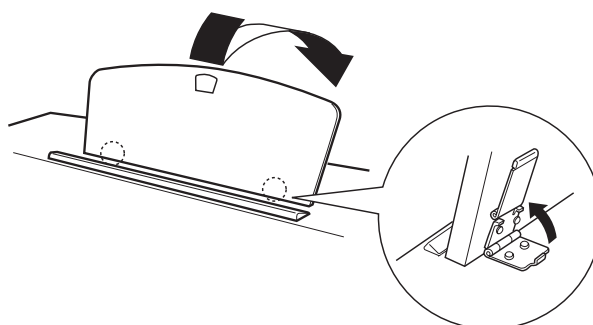
To raise the music rest:

1. Pull the music rest up and toward yourself as far as it will go.
2. Flip down the two metal supports at the left and right on the rear of the music rest.
3. Lower the music rest so that it rests on the metal supports.



To lower the music rest:

1. Pull the music rest toward yourself as far as it will go.
2. Raise the two metal supports (at the rear of the music rest).
3. Gently lower the music rest backward until it is all the way down.



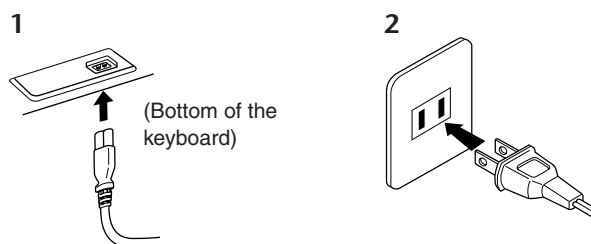
⚠ CAUTION

Do not try to use the music rest in a half-raised position. When lowering the music rest, do not release your hands from the music rest until it is all the way down.

Connecting the Power Cord

Read the instructions below very carefully to make sure that you correctly connect the power cord.

1. Insert the plug on one end of the power cord to the [AC IN] connector. Refer to the "Part Names and Functions" on page 11 for information on the location of the [AC IN] connector.
2. Insert the plug on the other end of the power cord to a standard AC outlet.



(The shape of the plug differs depending on locale.)

WARNING

Make sure your Clavinova is rated for the AC voltage supplied in the area in which the piano will be used. (The voltage rating appears on the name plate on the bottom panel). In some areas, a voltage selector may be provided on the bottom panel of the main keyboard unit near the power cord. Make sure that the voltage selector is set for the voltage in your area. Connecting the unit to an inappropriate AC supply can seriously damage the internal circuitry and may even pose a shock hazard!

Use only the AC power cord supplied with the instrument. If the supplied power cord is lost or damaged and needs to be replaced, contact your Yamaha dealer. The use of an inappropriate replacement can pose a fire and shock hazard!

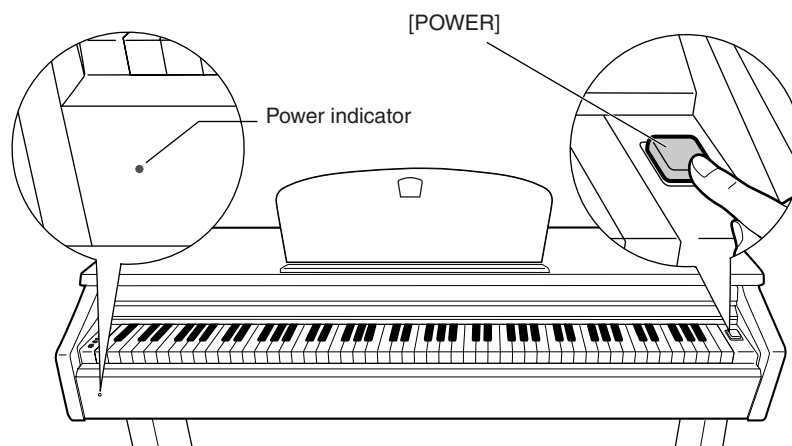
The type of AC power cord provided with the instrument may be different depending on the country in which the instrument was purchased. (In some areas a plug adaptor may be provided to match the pin configuration of the AC wall outlets in your area.)

Do NOT modify the plug provided with the instrument. If the plug will not fit the outlet, have a proper outlet installed by a qualified electrician.

Turning the Power On

Press the [POWER] switch on the right end of the keyboard to turn on the power to the unit.

- ⇒ The power indicator located below the left end of the keyboard lights up.



Press the [POWER] switch again to turn off the power to the unit.

- ⇒ The power indicator turns off.

Power indicator

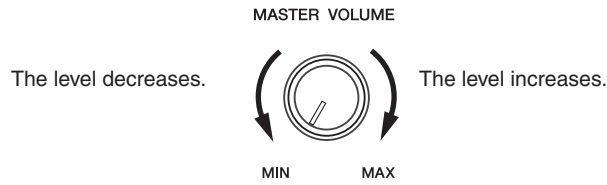
If you forget to turn off the power to the piano and close the key cover, the power indicator will remain lit, indicating that the power is still on.

CAUTION

A small amount of electrical current remains even after the power switch is turned off. If you plan not to use the instrument for a long period of time, be sure to unplug the instrument from the AC outlet.

Setting the Volume

When you start playing, adjust the [MASTER VOLUME] control to the most comfortable listening level.



CAUTION

Do not use this instrument at a high volume level for a long period of time, or your hearing may be damaged.

Using Headphones

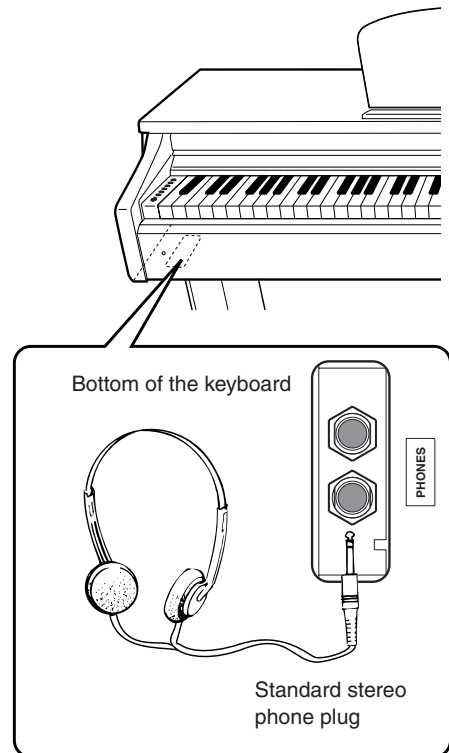
Connect a pair of headphones to one of the [PHONES] jacks.

Two [PHONES] jacks are provided.

You can connect two sets of standard stereo headphones. (If you are using only one pair of headphones, you can plug them into either jack.)

CAUTION

Do not listen to the instrument at a high volume level through headphones for a long period of time, or your hearing may be damaged.

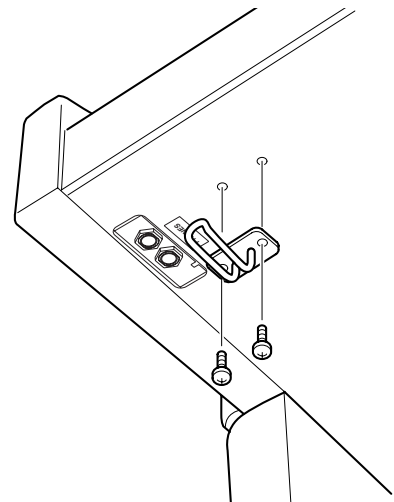


Using the Headphone Hanger

A headphone hanger is included in the package so that you can hang the headphones on this instrument. Install the headphone hanger using the included two screws (4 × 10mm) as shown in the figure.

CAUTION

Do not hang anything other than the headphones on the hanger. Otherwise, this instrument or the hanger may be damaged.



Listening to the Demo Songs

Demo songs are provided that effectively demonstrate each of this instrument's voices.

Procedure

1. Turn on the power.

(In case the power is not turned on) Press the **[POWER]** button.

2. Start playing back a demo song.

Press the **[DEMO/SONG]** button.

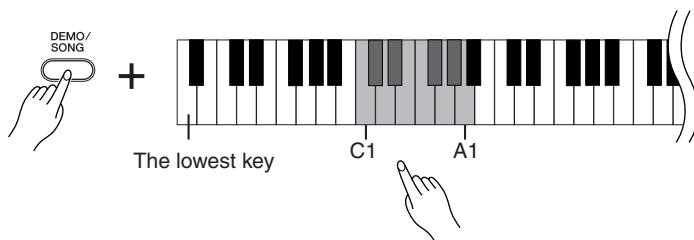
⇒ The demo song for the currently-selected voice starts playing.

3. Select and play a demo song.

While a demo song is playing, press the **[+]** or **[-]** button to select and play the next or previous demo song.

If you wish to select a particular demo song from 10 voice demo songs, press and hold down the **[DEMO/SONG]** button, then press one of the C1–A1 keys.

⇒ The selected demo song starts to play. Starting with the selected song, the playback of the demo songs will continue in the following sequence: other voice demo songs, followed by 50 piano preset songs, and any songs loaded from the computer. The sequence then returns to the first demo song and repeats until you stop it.



Demo Songs

Each of the 10 voices features its own demo song that showcases the corresponding voice. Please refer to “Selecting Voices” on page 18.

The demo songs listed below are re-arranged excerpts from the original compositions.

The other demo songs are Yamaha's original pieces (©2008 Yamaha Corporation).

Key	Voice Name	Title	Composer
C1	GRAND PIANO 1	Albumbrad, Lyriske stykker IV, op.47-2	E. H. Grieg
E1	HARPSICHORD 1	Concerto a cembalo obbligato, 2 violini, viola e continuo No.7, BWV.1058	J. S. Bach
F1	HARPSICHORD 2	Gigue, Französische Suiten Nr.5, BWV.816	J. S. Bach
G1	CHURCH ORGAN 1	Herr Christ, der ein'ge Gottes-Sohn, BWV.601	J. S. Bach
G#1	CHURCH ORGAN 2	Trionsonate Nr.6, BWV.530	J. S. Bach

Refer to the voice list on page 18 for more information on the characteristics of each preset voice.

While a demo song is playing, press and hold down the **[METRONOME]** button and press the **[+]** or **[-]** button to change the song tempo.

If you are using the metronome (page 23) during demo song playback, press the **[+]** or **[-]** button to change the song tempo.

You can also press keys to change the tempo. (page 23)

The demo songs will not be transmitted via MIDI.

You can also change to the next or previous demo song by pressing and holding down the **[DEMO/SONG]** button and pressing the **[+]** or **[-]** button.

Adjusting the Volume

Use the **[MASTER VOLUME]** control to adjust the volume.

4. Stop the Voice demo.

Press the **[DEMO/SONG]** button to stop playback.

Listening to 50 Piano Preset Songs

The Clavinova provides performance data for 50 piano songs as well as voice demo songs. You can simply listen to these songs. You can also refer to the included “50 Greats for the Piano” that contains scores for 50 piano preset songs.

Procedure

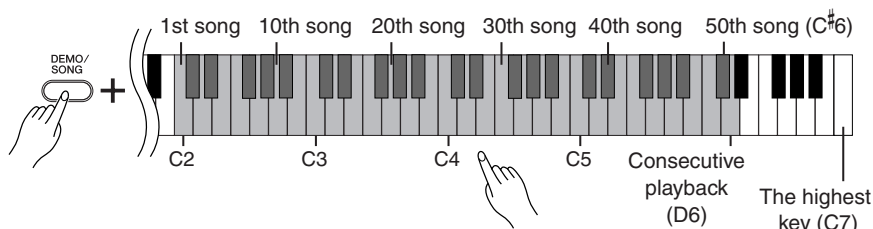
1. Select and play back a piano preset song.

The number of each piano preset song is assigned to the C2–C#6 keys.

While holding down the [DEMO/SONG] button, press one of the C2–C#6 keys to select a song to play back.

⇒ The selected piano song starts to play.

To play all preset songs consecutively in sequence, while holding down the [DEMO/SONG] button, press the D6 key.



While a piano preset song is playing, press the [+] or [-] button to change to the next or previous piano song.

Adjusting the Volume

Use the [MASTER VOLUME] control to adjust the volume.

2. Stop playback.

To stop the song during playback (or continuous playback), press the [DEMO/SONG] button.

- To continue playing other songs, see procedure 1 above.

Song:

On this instrument, performance data is called a “Song.” This includes demo songs and 50 piano preset tunes.

You can play the keyboard along with the preset song. You can change the voice playing on the keyboard.

The default tempo is automatically selected whenever a new preset song is selected, and when a new preset song begins playback.

While a piano preset song is playing, hold down the [METRONOME] button and press the [+] or [-] button to change the song tempo.

If you are using the metronome (page 23) during preset song playback, press the [+] or [-] button to change the song tempo.

You can also press keys to change the tempo. (page 23)

When you select a different song (or a different song is selected during chained playback), an appropriate reverb type will be selected accordingly.

The 50 piano preset songs will not be transmitted via MIDI.

Listening to Songs Loaded from the Computer

You can transfer song data from your computer to this instrument and play back the songs. (See page 31 for more information on loading song data from the computer.)

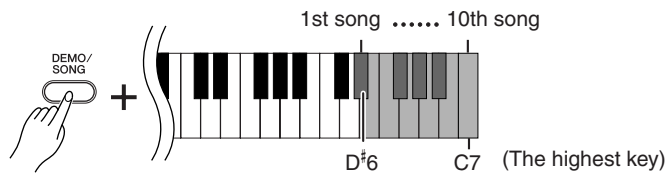
Procedure

1. Select and play back a song.

Song numbers (1 through 10) are assigned to the D[#]6–C7 keys (see the illustration below).

While holding down the [DEMO/SONG] button, press one of the D[#]6–C7 keys to select a song to play back.

⇒ The selected song starts to play.



Adjusting the Volume

Use the [MASTER VOLUME] control to adjust the volume while listening to the song.

2. Stop playback.

To stop the song during playback, press the [DEMO/SONG] button.

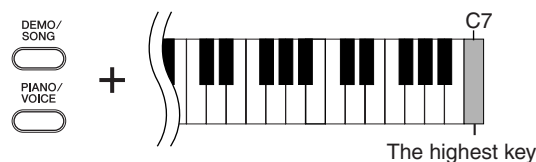
Selecting a Song Playback Channel

If a song loaded from the computer uses a voice that is not supported by this instrument, the originally-assigned voice may not be reproduced accurately. In this case, switching the song playback channel from “All” to “1 + 2” may improve the tone to more natural sound.

Selecting 1 + 2 song playback channels:

While pressing and holding down the [DEMO/SONG] button and the [PIANO/VOICE] button simultaneously, press the C7 key.

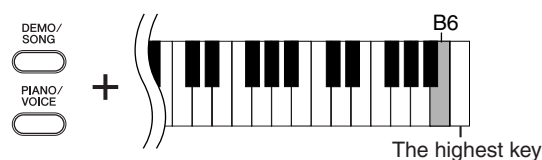
⇒ Channels 1 + 2 will produce the sound.



Selecting all song playback channels:

While pressing and holding down the [DEMO/SONG] button and the [PIANO/VOICE] button simultaneously, press the B6 key.

⇒ All channels 1 through 16 will produce the sound.



You can load up to 10 songs or up to 337 KB of data from the computer.

Songs loaded from the computer will be numbered automatically.

Use the following table to write down the song titles you loaded from the computer.

Key	Song title
D [#] 6	
E6	
F6	
F [#] 6	
G6	
G [#] 6	
A6	
A [#] 6	
B6	
C7	

Selecting & Playing Voices

Selecting Voices

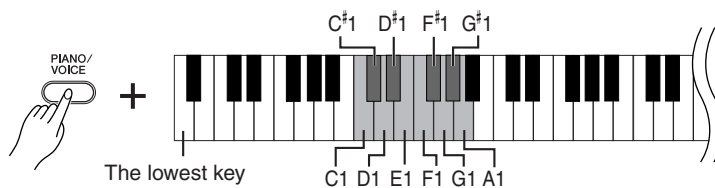
Procedure

Press and release the [PIANO/VOICE] button to select the Grand Piano 1 voice.

Press and release the [PIANO/VOICE] button, press the [+] or [-] button to select a different voice.

If you wish to select a particular voice directly, press and hold down the [PIANO/VOICE] button, then press one of the C1–A1 keys.

Turn the [MASTER VOLUME] control to adjust the volume level while playing the keyboard.



To understand the characteristics of various voices, listen to demo songs for each voice (page 15).

Voice:

On this instrument, a voice means a “tone” or “tonal color.”

Selecting a voice automatically engages the best-suited reverb type and depth (page 20) for that particular voice.

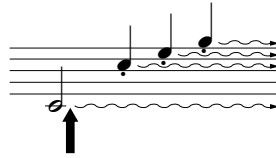
Key	Voice Name	Description
C1	Grand Piano 1	Recorded samples from a full concert grand piano. Perfect for classical compositions as well as any other style that requires acoustic piano.
C#1	Grand Piano 2	Spacious and clear piano with bright reverb. Good for popular music.
D1	E.Piano 1	An electronic piano sound created by FM synthesis. Good for popular music.
D#1	E.Piano 2	The sound of an electric piano using hammer-struck metallic “tines.” Soft tone when played lightly, and an aggressive tone when played hard.
E1	Harpsichord 1	The definitive instrument for baroque music. Since the strings of a harpsichord are plucked, there is no touch response.
F1	Harpsichord 2	Mixes the same voice an octave higher for a more brilliant tone.
F#1	Vibraphone	The sound of a vibraphone played with relatively soft mallets.
G1	Church Organ 1	This is a typical pipe organ sound (8 feet + 4 feet + 2 feet). Good for sacred music from the Baroque period.
G#1	Church Organ 2	This is the organ’s full coupler sound, often associated with Bach’s “Tocata and Fugue”.
A1	Strings	Spacious and large-scale string ensemble. Try combining this voice with piano in DUAL mode.

Using the Pedals

Damper (Right) Pedal

The damper pedal functions in the same way as a damper pedal on an acoustic piano. When the damper pedal is pressed, notes sustain longer. Releasing the pedal immediately stops (damps) any sustained notes.

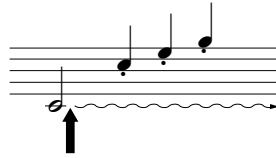
The damper pedal features a half-pedal function.



When you press the damper pedal here, the notes you play before you release the pedal sustain longer.

Sostenuto (Center) Pedal

If you play a note or chord on the keyboard and press the sostenuto pedal while the note(s) are held, those notes will sustain as long as you hold the pedal (as if the damper pedal had been pressed) but all subsequently played notes will not be sustained. This makes it possible to sustain a chord, for example, while other notes are played “staccato.”



When you press the sostenuto pedal here while holding the note, the note will sustain as long as you hold the pedal.

Soft (Left) Pedal

The soft pedal reduces the volume and slightly changes the timbre of notes played while the pedal is pressed. The soft pedal will not affect notes that are already playing when it is pressed.

If the damper pedal doesn't work, make sure that the pedal cord is properly plugged into the main unit (page 36).

What is the half-pedal function?

This function allows the sustain length to vary depending on how far the pedal is pressed. The farther you press the pedal, the more the sound sustains.

For example, if you press the damper pedal and all notes you are playing sound a bit murky and loud with too much sustain, you can release the pedal half way to subdue the sustain (murkiness).

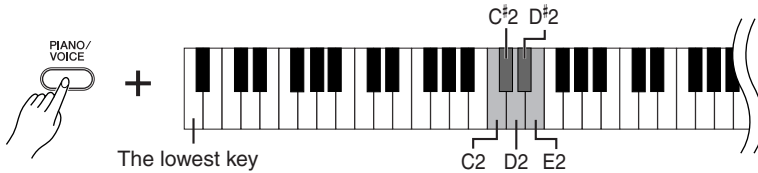
Organ and string voices will continue to sound for as long as the sostenuto pedal is depressed.

Adding Variations to the Sound – Reverb

This control enables you to select various digital reverb effects that add extra depth and expression to the sound to create a realistic acoustic ambience.

Procedure

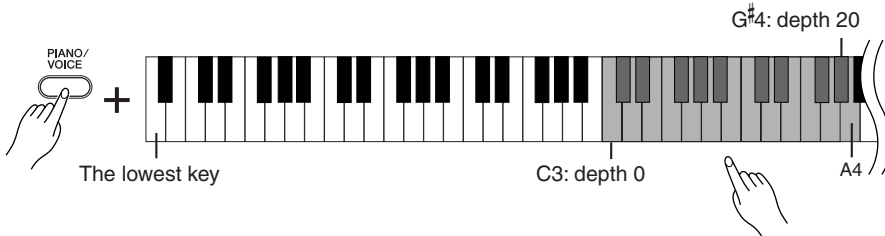
While holding down the **[PIANO/VOICE]** button, press one of the C2–E2 keys to select a reverb type.



Key	Reverb Type	Description
C2	Room	This setting adds a continuous reverb effect to the sound, similar to the acoustic reverberation you would hear in a room.
C#2	Hall1	For a “bigger” reverb sound, use the HALL 1 setting. This effect simulates the natural reverberation of a small-size concert hall.
D2	Hall2	For a truly spacious reverb sound, use the HALL 2 setting. This effect simulates the natural reverberation of a large concert hall.
D#2	Stage	Simulates the reverb of a stage environment.
E2	Off	No effect is applied.

Adjusting Reverb Depth

Adjust the reverb depth for the selected voice by pressing one of the C3–G#4 keys while holding down the **[PIANO/VOICE]** button. The depth range is from 0 through 20.



The depth value increases as you press higher keys.

While holding down the **[PIANO/VOICE]** button, press the A4 key to set the reverb to the depth most suitable for the selected voice.

The default reverb type (including OFF) and depth settings are different for each voice.

depth 0: no effect
depth 20: maximum reverb depth

Layering Two Voices (Dual mode)

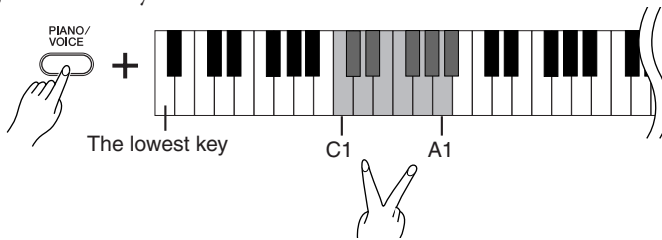
You can layer two voices and play them simultaneously to create a thicker and more supple sound.

Procedure

1. Engage Dual mode.

While holding down the [PIANO/VOICE] button, press two keys in the range of C1 through A1 simultaneously (or press and hold down one key, then press another) to select the two desired voices.

Refer to “Selecting Voices” (page 18) for information on the voices that are assigned to the keys.



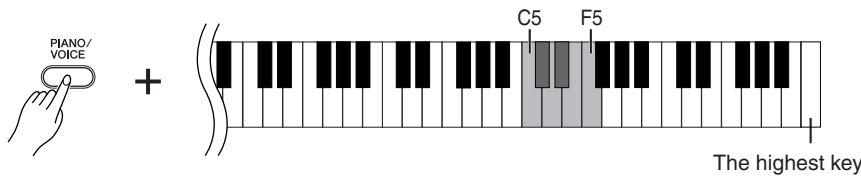
The voice assigned to the lower key will be designated as Voice 1, and the voice assigned to the higher key will be designated as Voice 2.

You can make the following settings for Voices 1 and 2 in Dual mode:

Setting the Octave

You can shift the pitch up and down in octave steps for Voice 1 and Voice 2 independently. Depending on which voices you combine in Dual mode, the combination may sound better if one of the voices is shifted up or down an octave.

While holding down the [PIANO/VOICE] button, press one of the C5–F5 keys.



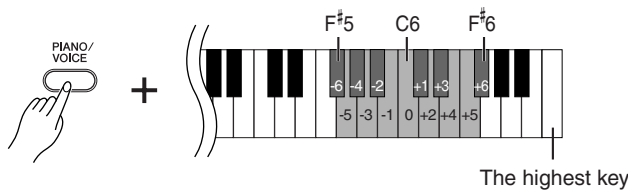
C5 key: -1 (Voice 1), C[#]5 key: 0 (Voice 1), D5 key: +1 (Voice 1),
 D[#]5 key: -1 (Voice 2), E5 key: 0 (Voice 2), F5 key: +1 (Voice 2)

Setting the Balance

You can adjust the volume balance between two voices. For example, you can set one voice as the main voice with a louder setting, and make the other voice softer.

While holding down the [PIANO/VOICE] button, press one of the F[#]5–F[#]6 keys.

A setting of “0” produces an equal balance between the two Dual mode voices. Settings below “0” increases the volume of Voice 2 in relation to Voice 1, and settings above “0” increases the volume of Voice 1 in relation to Voice 2.



2. Exit Dual mode and return to normal play mode.

While holding down the [PIANO/VOICE] button, press one of the C1–A1 keys.

You cannot assign the same voice to Voice 1 and Voice 2 simultaneously in Dual mode.

Reverb in Dual Mode

The reverb type assigned to Voice 1 will take priority. (If the reverb assigned to Voice 1 is set to OFF, the reverb assigned to Voice 2 will be in effect.)

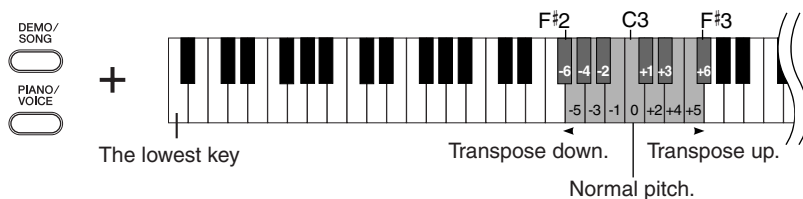
Transposition

The Clavinova's Transpose function makes it possible to shift the pitch of the entire keyboard up or down in semitone intervals up to a maximum of six semitones, and lets you easily match the pitch of the keyboard to the range of a singer or other instruments.

For example, if you set the transposition amount to "5," playing key C produces pitch F. In this way, you can play a song as though it were in C major, and this instrument will transpose it to F major.

Procedure

While holding down the [DEMO/SONG] and [PIANO/VOICE] buttons, press one of the F#2–F#3 keys to set the desired amount of transposition.



Transpose:
Changing the key signature. On this instrument, transposing shifts the pitch of the entire keyboard.

[DEMO/SONG] + [PIANO/VOICE] + C3 key:

Plays normal keyboard pitch.

[DEMO/SONG] + [PIANO/VOICE] + B2 key (white key to the left of C3):

Transposes the pitch down by one semitone.

[DEMO/SONG] + [PIANO/VOICE] + B^b2 key (the first black key to the left of C3):

Transposes the pitch down a whole tone (two semitones).

[DEMO/SONG] + [PIANO/VOICE] + F#2 key:

Transposes the pitch down by six semitones.

[DEMO/SONG] + [PIANO/VOICE] + C#3 key (black key to the right of C3):

Transposes the pitch up by one semitone.

[DEMO/SONG] + [PIANO/VOICE] + D3 key (the first white key to the right of C3):

Transposes the pitch up a whole tone (two semitones).

[DEMO/SONG] + [PIANO/VOICE] + F#3 key:

Transposes the pitch up by six semitones.

Fine-tuning the Pitch

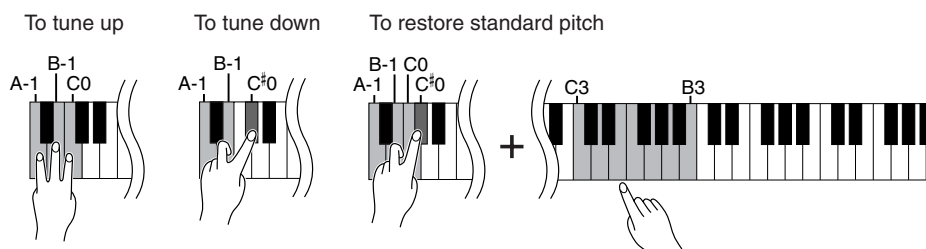
You can fine-tune the pitch of the entire instrument. This function is useful when you play the Clavinova along with other instruments or CD music.

Procedure

To tune up (in about 0.2Hz steps): Press and hold down the A-1, B-1 and C0 keys simultaneously, and press any key between C3 and B3.

To tune down (in about 0.2Hz steps): Press and hold down the A-1, B-1 and C#0 keys simultaneously, and press any key between C3 and B3.

To restore standard pitch: Press and hold down the A-1, B-1, C0 and C#0 keys simultaneously, and press any key between C3 and B3.



Hz (Hertz):
This unit of measurement refers to the frequency of a sound and represents the number of times a sound wave vibrates in a second.

Setting range: 427.0–453.0 Hz

Standard pitch: 440.0 Hz

Using the Metronome

The Clavinova features a built-in metronome (a device that keeps an accurate tempo) that is convenient for practicing.

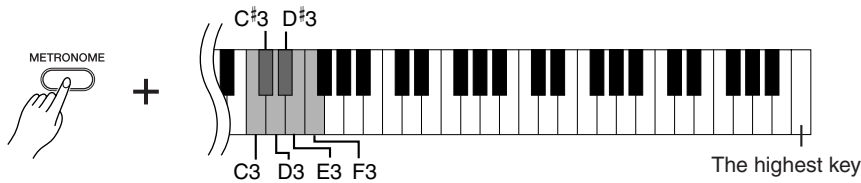
Procedure

1. Start the metronome.

Press the [METRONOME] button to turn on the metronome.

Determines the Time Signature

While holding down the [METRONOME] button, press one of the C3–F3 keys.



C3 key: No downbeat, C#3 key: 2/4, D3 key: 3/4, D#3 key: 4/4, E3 key: 5/4, F3 key: 6/4

Adjusting the Tempo

You can adjust the metronome tempo by pressing the [+] or [-] button while the metronome is playing.

The tempo of the metronome and preset song playback can be set from 32 to 280 beats per minute.

A number is assigned to each of the following keys.

While holding down the [METRONOME] button, press a sequence of C4–A4 keys to specify a three-digit number.

Select a number starting from the left-most digit. For example, to set the tempo “95,” press the C4 (0), A4 (9) and F4 (5) keys in sequence.

Increasing the tempo value in steps of one:

While the metronome is playing, press the [+] button. Alternatively, press and hold down the [METRONOME] button, and press the C#5 key.

Decreasing the tempo value in steps of one:

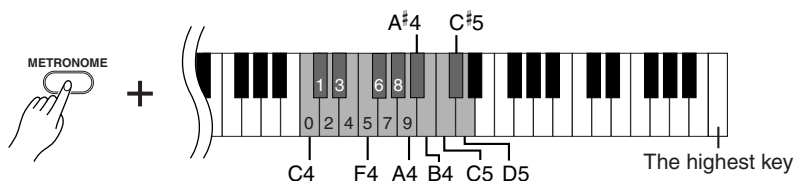
While the metronome is playing, press the [-] button. Alternatively, press and hold down the [METRONOME] button, and press the B4 key.

Increasing the tempo value in steps of ten:

Press and hold down the [METRONOME] button, and press the D5 key.

Decreasing the tempo value in steps of ten:

Press and hold down the [METRONOME] button, and press the A#4 key.



Resetting the tempo to default:

While the metronome is playing, press the [+] and [-] buttons simultaneously.

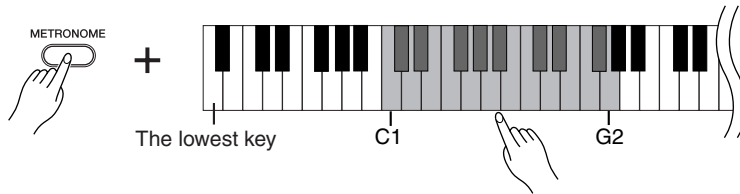
Alternatively, press and hold down the [METRONOME] button, and press the C5 key.

To reset the tempo to default value of 120 while the metronome is stopped, press the [METRONOME], [+] and [-] buttons simultaneously.

Adjusting the Volume

You can change the volume of the metronome sound.

While holding down the [METRONOME] button, press one of the C1–G2 keys to determine the volume.



The volume level increases as you press higher keys.

2. Stop the metronome.

Turn off the metronome by pressing the [METRONOME] button.

Adjusting the Keyboard Touch (Touch Sensitivity)

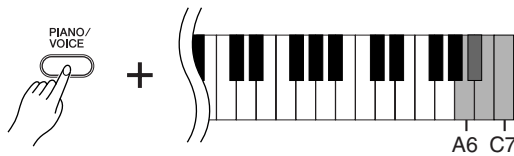
You can adjust the volume level, which changes depending on how fast or strong you hit the keys (keyboard touch). Select an appropriate keyboard touch for the voices, songs or your taste.

This setting is disabled with some voices, such as an organ sound.

Key	Touch Sensitivity Setting	Description
A6	Fixed	The volume level does not change at all regardless of whether you play the keyboard soft or hard.
A#6	Soft	The volume level does not change much when you play the keyboard soft or hard.
B6	Medium	This is the standard piano touch response. (This is the default setting.)
C7	Hard	The volume level changes very widely from pianissimo to fortissimo to facilitate dynamic and dramatic expression. You have to hit the keys hard to produce a loud sound.

Procedure

While holding down the [PIANO/VOICE] button, press one of the A6–C7 keys to select the desired touch sensitivity.



Recording your Performance

The Clavinova's recording function enables you to record your performance of one song. The recorded performance is called the "user song."
Follow the steps below to record and play back your performance.

Audio recording and data recording

Cassette tape recordings use a different data format than this instrument. Cassette tapes record audio signals. On the other hand, this instrument records information about the notes and voices being played and about the timing and tempo of those notes. It does not record audio signals. When you play back a recorded performance on this instrument, its internal tone generator reproduces the sound according to the recorded information.

⚠ CAUTION

Be careful not to erase the recorded data:

After you record a performance on this instrument, the [PLAY] button indicator lights up. When this indicator remains on, recording another performance will erase the recorded data.

The user song is saved as a Standard MIDI file (SMF). (page 31)

To transfer and play the user song on another device, you must have Musicsoft Downloader (page 31) installed on your computer.

Procedure

1. Select a voice and other settings for the recording.

While holding down the [PIANO/VOICE] button, press one of the C1–A1 keys to select the desired voice(s). (See page 18.)

If you desire, you can select other settings, such as the reverb setting.

Use the [MASTER VOLUME] control to adjust the volume to a comfortable listening level. You can also use the [MASTER VOLUME] control to adjust the volume level during playback.

2. Engage Record mode.

Press the [REC] button.



⇒ The [REC] button indicator flashes. (It may take a moment before the indicator starts to flash.)

Press the [REC] button again if you wish to cancel Record mode.

3. Start recording.

Recording starts as soon as you play the keyboard.

Alternatively, press the [PLAY] button to start recording.

⇒ The [REC] button indicator lights up steadily, and the [PLAY] button indicator flashes at the current tempo.

4. Stop recording.

Press the [REC] button.

⚠ CAUTION

Do not turn off the power to this instrument while it is recording the data in its internal memory (that is, while the [REC] and [PLAY] button indicators are flashing). Otherwise, all recorded data, including the data being recorded, will be lost.

You cannot engage Record mode while a demo song is playing.

Recording capacity

"Recording capacity" is the maximum amount of performance data that you can record. This instrument's recording capacity is 100 KB (approximately 11,000 notes).

Changing the settings for the recorded user song

If you wish to change the voice of the user song, before pressing the [REC] button, select a different voice. Then, press the [REC] button to engage Record mode. Without playing the keyboard, press the [REC] button again to apply the change to the song. If you wish to change the tempo, do so after you engage Record mode.

You can save the recorded user song to a computer. You can also load the user song data from a computer and play it back on this instrument. (See page 31.)

Playing Back Recorded Performance Data

Procedure

1. Start the playback.

Press the [PLAY] button.



⇒ The [PLAY] button indicator flashes at the current tempo.

2. Stop the playback.

When the user song finishes playing back, this instrument automatically returns to the previous mode.

To stop the playback, press the [PLAY] button.

While the user song is playing, press and hold down the [METRONOME] button and press the [+] or [-] button to change the song tempo.

If you are using the metronome (page 23) during demo song playback, press the [+] or [-] button to change the song tempo.

You can also press keys to change the tempo. (page 23)

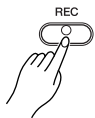
Erasing Recorded Performance Data

You can erase the recorded user song.

Procedure

1. Engage Record mode.

Press the [REC] button.



⇒ The [REC] button indicator flashes.

2. Erase the song.

Press and hold down the [PLAY] button, then press the [REC] button.

⇒ The recorded user data is erased.

To cancel the erase operation, press the [REC] button again.

Please note that even after you cancel the erase operation, the user song settings, including the voice selection, will automatically return to the status obtained at the time you engaged Record mode. (page 25)

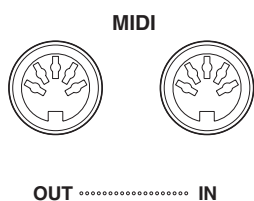
Connecting MIDI Instruments

The Clavinova features MIDI connectors. Using the MIDI functions enables you to access a variety of musical genres.

About MIDI

MIDI (Musical Instrument Digital Interface) is a global format standard for performance data transmission and reception between electronic musical instruments.

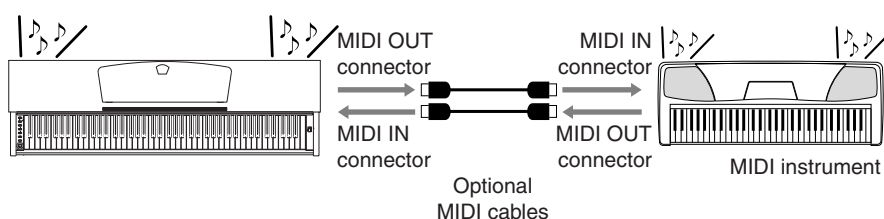
Connecting musical instruments that support MIDI via MIDI cables enables you to transfer performance and setting data between multiple musical instruments. Using MIDI, you can also achieve more advanced performances than using just a single musical instrument.



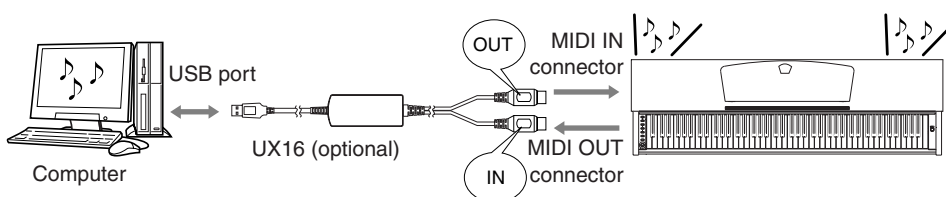
MIDI's Capability

MIDI functions enable you to transfer performance data between MIDI devices, load song data from a connected computer to your instrument, and transmit and save user song data to a computer.

● Transferring performance data to and from another MIDI device



● Transferring MIDI data to and from a computer



Since the transmission or reception of MIDI data can vary depending on the type of MIDI device, each MIDI device can transmit or receive only data and commands that are compatible with other connected MIDI devices. Please check the "MIDI Implementation Chart" on the web (please refer to "Data List" on page 6) to find out what MIDI data and commands your devices can transmit or receive.

You need a dedicated MIDI cable (optional) to make a MIDI connection. You can purchase MIDI cables at musical instrument stores.

If you connect a very long MIDI cable, data transmission errors may result. Use a MIDI cable of 15 meters or less.

Before connecting a MIDI device to this instrument, first turn off the power to both this instrument and the MIDI device. After connecting them, turn on the power to the MIDI device first, then turn on the power to this instrument.

You cannot transmit the voice demo songs and the 50 piano preset songs from this instrument to another MIDI device.

For more information on the transmission and reception of song data, refer to "Transmitting Song Data between the Computer and the Clavinova" on page 31.

Connecting a Computer

Connecting the instrument to a computer using the MIDI connectors enables you to transfer MIDI data between the instrument and the computer. This connection requires that you have appropriate application software installed on the computer.

Also, installing Musicsoft Downloader on the computer enables you to transfer song data between the piano and the computer. (page 31)

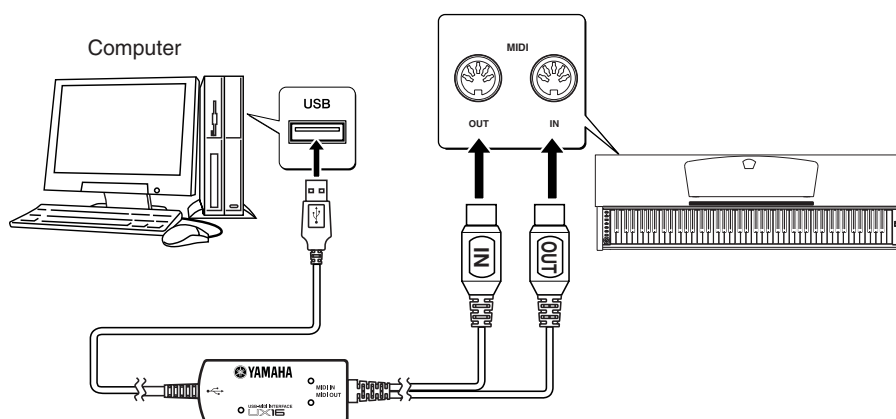
When this instrument is used as a tone module, performance data with voices that are not found on this instrument will not be played correctly.

Before you connect this instrument to a computer, first turn off the power to both this instrument and the computer. After you make the connections, turn on the power to the computer first, then turn on the power to this instrument.

An example of connecting this instrument to the USB port on a computer

Use an optional USB-MIDI interface (such as a Yamaha UX16) to connect this instrument's MIDI connectors to the computer's USB port.

You must install the USB-MIDI driver on the computer correctly so that you can control your MIDI instrument from the computer. The USB-MIDI driver is a software application that enables MIDI signals to be transmitted between the sequence software on the computer and the connected MIDI instrument. For more information, refer to the user's manual that came with the USB interface device.



Connecting this instrument to the computer using a USB-MIDI interface

Turn off the power to this instrument. Connect the MIDI OUT cable from the USB-MIDI interface to this instrument's MIDI IN connector, and connect the MIDI IN cable from the USB-MIDI interface to this instrument's MIDI OUT connector.

The connection between this instrument and the computer has now been established.

Turn on the power to this instrument and try to transfer MIDI data to or from the computer.

For more information on connecting the UX16, refer to the user's manual that came with the UX16.

You must install a software application on the computer to be able to transfer MIDI data between this instrument and a computer.

MIDI Functions

You can make detailed adjustments to MIDI settings.

MIDI Transmit/Receive Channel Selection

In any MIDI control setup, the MIDI channels of the transmitting and receiving equipment must be matched for proper data transfer.

This parameter enables you to specify the channel on which the instrument transmits or receives MIDI data.

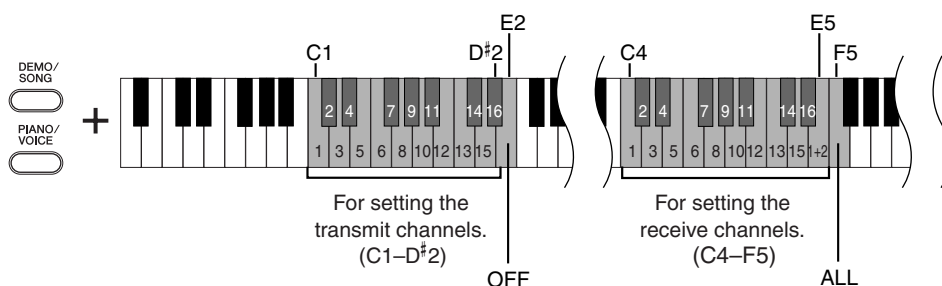
Procedure

Setting the transmit channel

While holding down the [DEMO/SONG] and [PIANO/VOICE] buttons simultaneously, press one of the C1–E2 keys.

Setting the receive channel

While holding down the [DEMO/SONG] and [PIANO/VOICE] buttons simultaneously, press one of the C4–F5 keys.



In Dual mode, Voice 1 data is transmitted on its specified channel and Voice 2 data is transmitted on the next greater channel number relative to the specified channel. In this mode, no data is transmitted if the transmit channel is set to “OFF.”

MIDI receive channel is ALL:

A “Multi-timbre” Receive mode is available. In this mode, this instrument receives different parts from the connected MIDI device on any or all 16 MIDI channels and plays multi-channel song data.

MIDI receive channel is 1+2:

A “1+2” Receive mode is available. It allows simultaneous reception on channels 1 and 2 only, enabling this instrument to play 1 and 2 channel song data received from a music computer or sequencer.

Program change and other like channel messages received will not affect this instrument’s panel settings or the notes you play on the keyboard.

Data for the demo song and 50 piano preset songs cannot be transmitted via MIDI.

⚠ CAUTION

When Local control is turned OFF, the keyboard of this instrument does not play the internal voices.

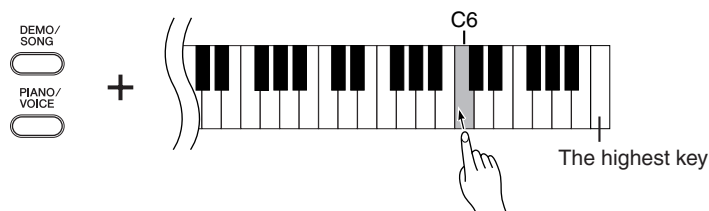
Local Control ON/OFF

“Local Control” refers to the fact that, normally, the keyboard of this instrument controls its internal tone generator, allowing the internal voices to be played directly from the keyboard. This situation is “Local Control On,” since the internal tone generator is controlled locally by its own keyboard.

Local control can be turned OFF, however, so that the keyboard of this instrument does not play the internal voices, but the appropriate MIDI information is still transmitted via the MIDI OUT connector when notes are played on the keyboard. At the same time, the internal tone generator responds to MIDI information received via the MIDI IN connector.

Procedure

While holding down the [DEMO/SONG] and [PIANO/VOICE] buttons simultaneously, press the C6 key. Pressing the C6 key repeatedly toggles between Local Control On and Off.



Program Change ON/OFF

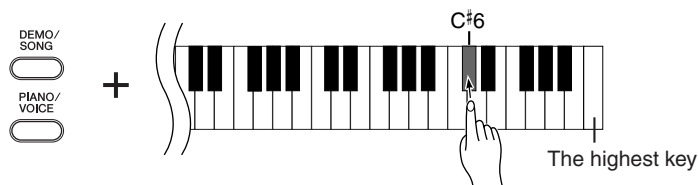
Normally this instrument will respond to MIDI program change numbers received from an external keyboard or other MIDI device, causing the correspondingly-numbered voice to be selected on the corresponding channel (the keyboard voice does not change). This instrument will normally also send a MIDI program change number whenever one of its voices is selected, causing the correspondingly-numbered voice or program to be selected on the external MIDI device if the device is set up to receive and respond to MIDI program change numbers.

This function makes it possible to cancel program change number reception and transmission so that voices can be selected on this instrument without affecting the external MIDI device.

For information on program change numbers for each voice, check the MIDI Data Format on the web (please refer to "Data List" on page 6).

Procedure

While holding down the [DEMO/SONG] and [PIANO/VOICE] buttons simultaneously, press the C#6 key. Pressing the C#6 key repeatedly toggles between Program Change On and Off.



Control Change ON/OFF

MIDI Control Change data refers to MIDI information related to performance expression (such as damper pedal information).

You can transmit MIDI Control Change data from this instrument to control the operation of the connected MIDI device. (For example, if you operate this instrument's damper pedal, this instrument will transmit MIDI Control Change data.)

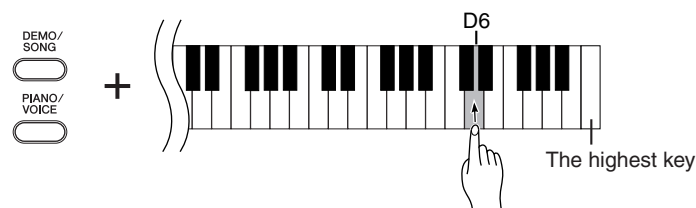
On the other hand, MIDI performance data of this instrument will respond to MIDI Control Change data received from the connected MIDI device. (At this time, the voice you are playing on the keyboard will not be affected by the Control Change data.)

The ability to transmit and receive MIDI Control Change data is sometimes very useful. Turn Control Change On if it is convenient for you to have this capability. Turn Control Change Off if you rather prefer not to have this capability.

For information on control changes that can be used with this instrument, check the MIDI Data Format on the web (please refer to "Data List" on page 6).

Procedure

While holding down the [DEMO/SONG] and [PIANO/VOICE] buttons simultaneously, press the D6 key. Pressing the D6 key repeatedly toggles between Control Change On and Off.



Transmitting Song Data between the Computer and the Clavinova

In addition to the demo songs and the 50 piano preset songs stored in this instrument, you can play data for other song by loading it from a connected computer.

To be able to use this function, you must first download Musicsoft Downloader from Yamaha website at the following URL, and install it on your computer.

<http://music.yamaha.com/download/>

● System requirement for Musicsoft Downloader

- | | |
|--------------------------------|--|
| • OS | : Windows 2000/XP Home Edition/XP Professional/Vista
* For XP and Vista, the 32-bit version is supported, but not the 64-bit version. |
| • CPU | : Intel® Pentium® or Celeron® chip of 500MHz or higher |
| • Memory | : 256MB or higher |
| • Available hard disk capacity | : 128MB or higher (512MB or higher recommended) |
| • Display | : 800 × 600 High Color (16-bit) |
| • Others | : Microsoft® Internet Explorer® version 5.5 or higher |

Loading Song Data from a Computer to the Clavinova

You can load piano song data from a computer to this instrument. Also, after you record your performance on this instrument and save the recording to a computer, you can load the recording back to the instrument.

This instrument can read MIDI data in SMF Format 0. However, if such data includes any information for functions that are not supported by this instrument, the instrument will not play the data correctly.

For more information on loading song data from a computer to this instrument, please refer to “Transferring Data Between the Computer and Instrument (for unprotected data)” in the Help file that came with Musicsoft Downloader.

● Requirements for song data that can be loaded from a computer to this instrument

- | | |
|---------------------|-------------------------------------|
| • Number of songs | : Up to 10 songs plus one user song |
| • Maximum data size | : 337KB plus 100KB(user) |
| • Data format | : SMF Format 0 |

You can play the loaded Songs. (page 17)

CAUTION

Do not turn off the power to this instrument or unplug the instrument during data transmission. Otherwise, the data being transmitted will not be saved. Furthermore, flash memory operation may become unstable, causing the entire memory to be erased when you turn the power to the instrument on or off.

You can download free Musicsoft Downloader from the Yamaha website.

Do not manually change the file name by using a computer; doing so will render the file unable for loading on the instrument.

SMF (Standard MIDI File)

This file features a popular sequence format (for recording performance data). This file is sometimes called a “MIDI file.” The file extension is MID.

You can play the SMF format song using music software or a sequencer that supports SMF. This instrument also supports SMF.

Song data loaded from a computer or User song data will be saved in the internal flash memory.

While Musicsoft Downloader is operating, the [REC] and [PLAY] button indicators on the piano light up.

Before you use this instrument, close the Musicsoft Downloader window and quit the application.

Transmitting Song Data from the Clavinova to a Computer

Musicsoft Downloader enables you to transfer the user song in this instrument to a computer. For more information on transferring song data from this instrument to a computer, please refer to “Transferring Data Between the Computer and Instrument (for unprotected data)” in the Help file that came with Musicsoft Downloader.

● Data you can transfer from this instrument to a computer

- User song : USERSONG1.MID
- Back up data : 08CLP-L.BUP
- Song data (once it has been loaded from the computer)

If you rename the song file “USERSONG1.MID,” the instrument will be unable to recognize the file.

Backing up Data and Initializing the Settings

Backing up data to flash memory

The following items will be stored in flash memory on this instrument. This data will be kept after you turn off the power to the instrument.

Backup data
Metronome volume
Metronome time signature
Touch sensitivity
Tuning
Recorded performance data (user song)
Song data once loaded from a computer

Backup data for metronome volume and time signature, touch sensitivity, tuning, and user song is included in the file named “08CLP-L.BUP” and stored in this instrument. You can transfer the backup data between the instrument and a computer.

Initializing the settings

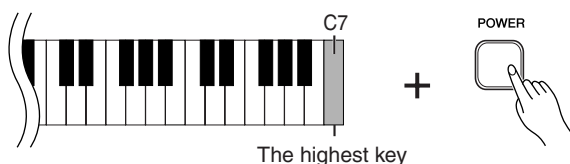
When you initialize the settings, all data, excluding the songs loaded from a computer, will be initialized and reset to the factory default settings.

⚠ CAUTION

Please note that initializing the settings will delete your recorded song (user song).

While holding down the C7 (the highest) key, turn on the power to the instrument.

- ➡ The data (excluding the data for the songs loaded from a computer) will be initialized.



If this instrument somehow becomes disabled or malfunctions, turn off the power to the instrument, then perform the initialization procedure.

⚠ CAUTION

Do not turn off the power to this instrument while it is initializing the data in its internal memory (that is, while the [REC] and [PLAY] button indicators are flashing).

Troubleshooting

Problem	Possible Cause and Solution
This instrument does not turn on.	This instrument has not been plugged in properly. Securely insert the female plug into the socket on this instrument, and the male plug into a proper AC outlet (page 13).
Noise from the speakers or headphones is audible.	The noise may be due to interference caused by the use of a mobile phone in close proximity to this instrument. Turn off the mobile phone, or move it further away from this instrument.
The overall volume is low, or no sound is heard.	<ul style="list-style-type: none"> • The Master Volume is set too low. Set it to an appropriate level using the [MASTER VOLUME] control. • Make sure a pair of headphones is not connected to the headphones jack. • Make sure that Local Control (page 29) is ON.
The damper pedal has no effect.	The pedal cord may not be properly connected. Make sure to securely insert the pedal cord into the [PEDAL] jack (page 36).

Options

BC-100 Bench

A comfortable bench styled to match your Yamaha Clavinova.

UX16

USB-MIDI interface

HPE-160

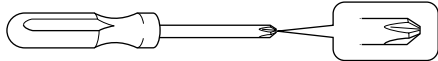
Headphones

Keyboard Stand Assembly

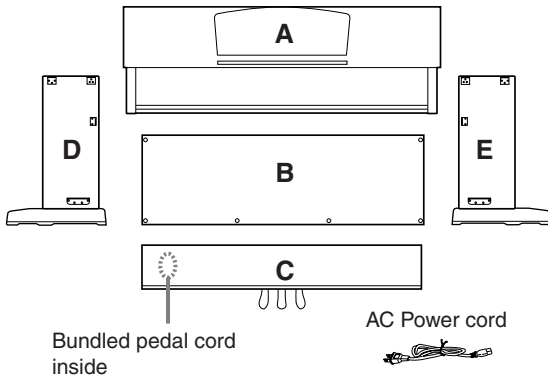
⚠ CAUTION

- Be careful not to confuse parts, and be sure to install all parts in the correct direction. Please assemble in accordance with the sequence given below.
- Assembly should be carried out by at least two persons.
- Assemble the stand on the flat floor surface.
- Be sure to use the included screws only, and insert screws of the correct size in the correct hole locations. Use of incorrect screws can cause damage or malfunction of the product.
- Be sure to tighten up all screws upon completing assembly of each unit.
- To disassemble, reverse the assembly sequence given below.

Have a Phillips-head (+) screwdriver of the appropriate size ready.



Remove all parts from the package and make sure you have all of the items.



Assembly Parts

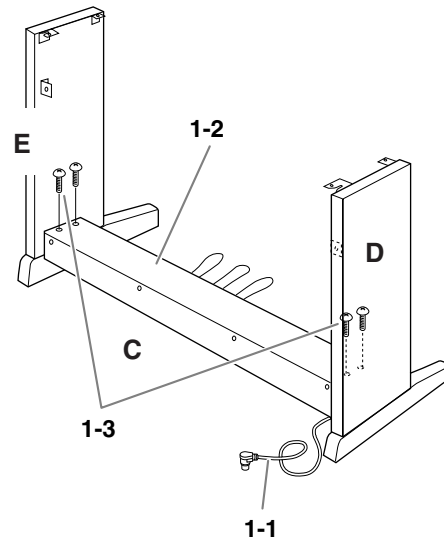
- | | |
|------------------------------|--------------------------------|
| 6 × 20 mm long screws × 4 ❶ | 4 × 20 mm tapping screws × 4 ❷ |
| | |
| 6 × 16 mm short screws × 4 ❸ | Cord holders × 2 |
| | |
| 4 × 12 mm thin screws × 2 ❹ | |
| | |

Headphone hanger set

- | | |
|-----------------------------|------------------|
| 4 × 10 mm thin screws × 2 ❺ | Headphone hanger |
| | |

1. Attach (finger-tighten) C to D and E.

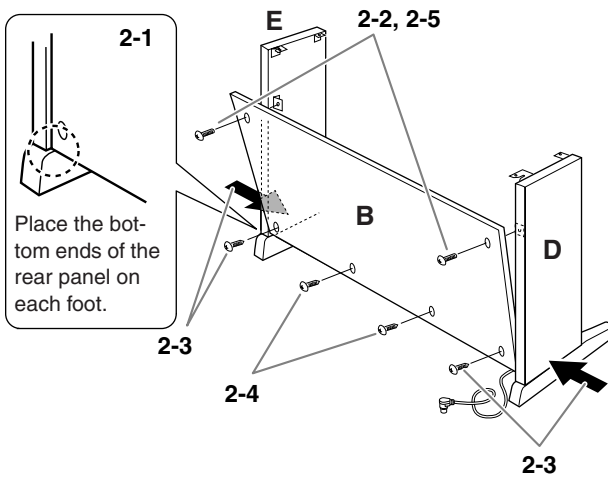
- 1-1 Untie and straighten out the bundled pedal cord. Don't discard the vinyl tie. You will need it later in step 6.
- 1-2 Align D and E with each end of C.
- 1-3 Attach D and E to C by finger-tightening the long screws ❶ (6 × 20mm).



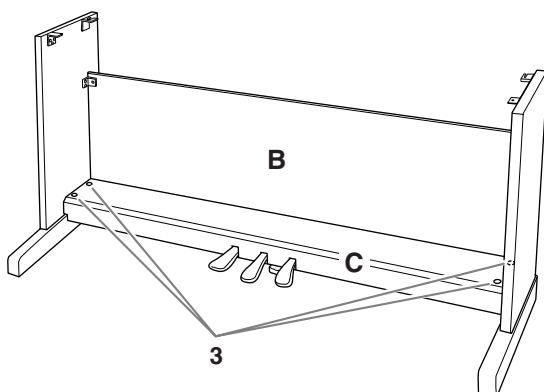
2. Attach B.

Depending on the model of Clavinova you purchased, the surface color of one side of B may be different from the other side. In this case, position B so that the side of the surface color similar to D and E faces the player.

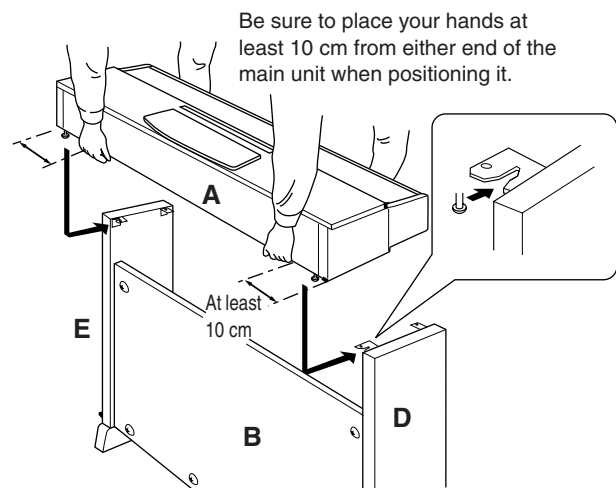
- 2-1 Place the lower side of B on each foot of D and E, then attach the upper side to D and E.
- 2-2 Attach the top of B to D and E by finger-tightening the thin screws ③ (4 × 12mm).
- 2-3 While pushing the lower part of D and E from outside, secure the bottom ends of B using two tapping screws ④ (4 × 20mm).
- 2-4 Insert the other two tapping screws ④ (4 × 20mm) into the other two screw holes to secure B.
- 2-5 Securely tighten the screws on the top of B that were attached in Step 2-2.



3. Securely tighten the screws on C that were attached in Step 1-3.



4. Mount A.

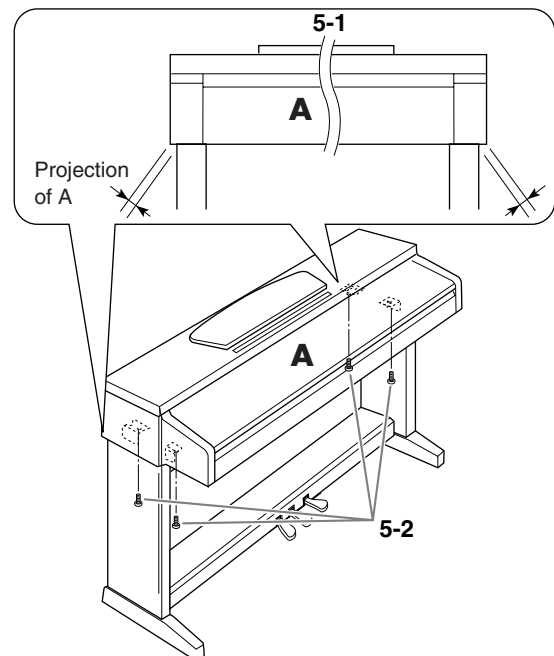


! CAUTION

- Fingers can become pinched between the main unit and the rear or side panels, be extra careful so as not to drop the main unit.
- Do not hold the keyboard in any position other than the position shown in the illustration.

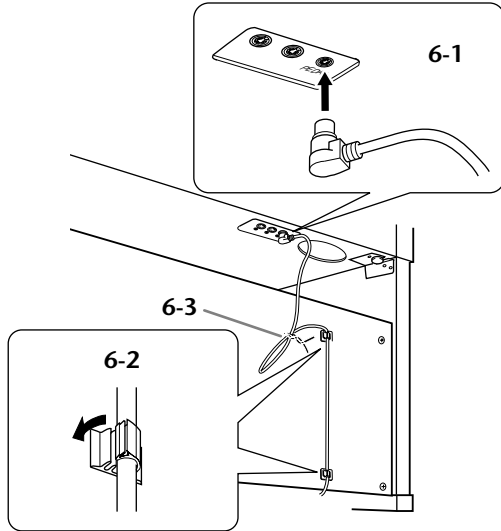
5. Secure A.

- 5-1 Adjust the position of A so that the left and right ends of A will project beyond D and E equally when seen from the front.
- 5-2 Secure A by tightening the short screws ② (6 × 16mm) from the front.



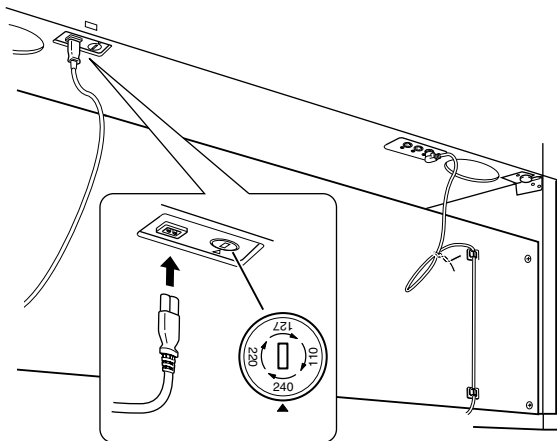
6. Connect the pedal cord.

- 6-1 Insert the pedal cord plug to the pedal connector from the rear.
- 6-2 Attach the cord holders to the rear panel as shown, then clip the cord into the holders.
- 6-3 Use a vinyl tie to take up any slack in the pedal cord.



7. Connect the power cord to the unit.

- 7-1 Set the voltage selector (for models that feature a voltage selector).



Voltage Selector

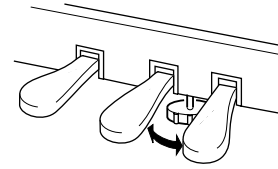
Before connecting the AC power cord, check the setting of the voltage selector which is provided in some areas. To set the selector for 110V, 127V, 220V or 240V main voltages, use a “minus” screwdriver to rotate the selector dial so that the correct voltage for your region appears next to the pointer on the panel. The voltage selector is set at 240V when the unit is initially shipped. After the proper voltage has been selected, connect the AC power cord to the AC IN and an AC wall outlet. A plug adaptor may be also provided in some areas to match the pin configuration of the AC wall outlets in your area.

- 7-2 Connect the plug on the power cord to the rear panel connector.

⚠ WARNING

An improper voltage setting can cause serious damage to this instrument or result in improper operation.

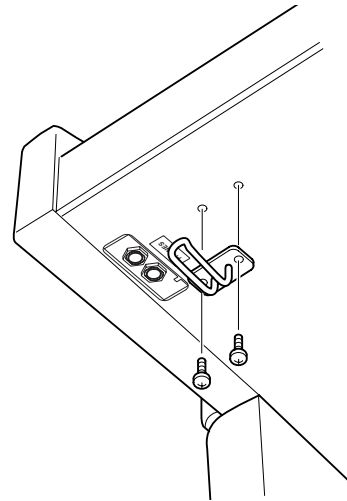
8. Set the adjuster.



Rotate the adjuster until it comes in firm contact with the floor surface.

9. Attach the headphone hanger.

Use the included two screws ⑤ (4 × 10mm) to attach the hanger as shown in the illustration below.



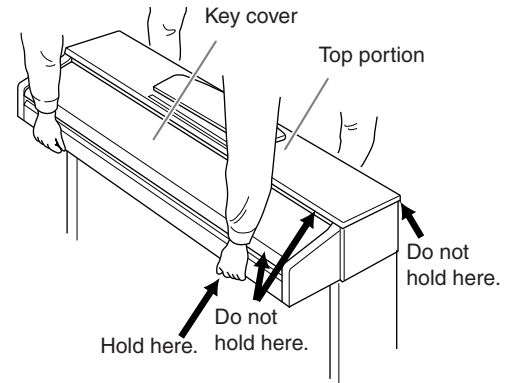
After completing the assembly, please check the following.

- **Are there any parts left over?**
→ Review the assembly procedure and correct any errors.
- **Is this instrument clear of doors and other movable fixtures?**
→ Move the instrument to an appropriate location.
- **Does this instrument make a rattling noise when you shake it?**
→ Tighten all screws.
- **Does the pedal box rattle or give way when you step on the pedals?**
→ Turn the adjuster so that it is set firmly against the floor.
- **Are the pedal and power cords inserted securely into the sockets?**
→ Check the connection.
- **If the main unit creaks or is otherwise unsteady when you play on the keyboard, refer to the assembly diagrams and retighten all screws.**

When moving the instrument after assembly, always hold the bottom of the main unit.

⚠ CAUTION

Do not hold the key cover or top portion. Improper handling can result in damage to the instrument or personal injury.



Index

Symbols

+/- 10

Numerics

50 Piano Preset Songs 16

A

Accessories 7

AC IN 11

Adjust

Keyboard Touch 24

Reverb Depth 20

Tempo (metronome) 23

Volume (metronome) 24

Assembly 34–37

AWM 8

AWM Dynamic Stereo Sampling 8

C

Center Pedal 19

Computer 28

Connecting a Computer 28

Control Change 30

D

Damper Pedal 19

DEMO/SONG 10, 15–17

Dual mode 21

H

Half-pedal 19

Headphone 14

Headphone hanger 14, 36

I

Initializing the Settings 32

K

Keyboard Stand 34–36

Key Cover 12

L

Layering Two Voices (Dual mode) 21

Left Pedal 19

Local Control 29

M

MASTER VOLUME 10, 14

METRONOME 10, 23

MIDI 27

MIDI cables 27

MIDI connectors 27, 28

MIDI Data Format 6

MIDI Implementation Chart 6

MIDI IN/OUT 11, 27, 28

Music Rest 12

Musicsoft Downloader 31

P

PEDAL 11, 19, 36

PHONES 10, 14

PIANO/VOICE 10, 18

PLAY 10, 26

Playing Back Recorded Performance Data 26

POWER 10, 13

Preset songs → 50 Piano Preset Songs 16

Program Change 30

R

REC 10, 25

Recording your Performance 25

Reverb 20

Right Pedal 19

S

SMF 31

Soft Pedal 19

Song 16

Song Playback Channel 17

Sostenute Pedal 19

Stand 34–36

Standard MIDI File 31

Start/Stop playback	
50 Piano Preset Songs.....	16
Demo Songs.....	15

T

Tempo.....	23
Touch Sensitivity.....	24
Transmitting Song Data.....	31
Transporting.....	7
Transposition	22
Troubleshooting.....	33

U

User Song.....	25
----------------	----

V

Voice	18
-------------	----

Appendix/Anhang/Annexe/Apéndice

Specifications / Technische Daten / Caractéristiques techniques / Especificaciones

	CLP-320
Keyboard	GH(Graded Hammer) keyboard
Number of keys	88keys (A-1–C7)
Touch	Hard/Medium/Soft/Fixed
Sound Source	AWM Dynamic Stereo Sampling
Polyphony	128 Notes Max.
Voice Selection	10
Effect	Reverb
Volume	Master Volume
Controls	Dual, Metronome, Transpose
Pedal	Damper (with half-pedal effect), Sostenuto, Soft
Demo Songs	10 Demo Songs, 50 Piano Preset Songs
Recording Function	One Song 100KB (approx.11,000 notes)
Recording/Playback Format	Standard MIDI File (SMF) Format 0
Loading song data from a computer	Up to 10 songs; Total maximum size 337KB
Jacks/Connectors	MIDI (IN/OUT), PHONES × 2
Main Amplifiers	20W × 2
Speakers	Oval (12 cm × 6 cm) × 2
Dimensions (W × D × H) [For models with polished finish]	1387 mm × 424 mm × 818 mm (54-5/8" × 16-11/16" × 32-1/4") [1388 mm × 424 mm × 822 mm (54-5/8" × 16-11/16" × 32-3/8")]
Dimensions (W × D × H) With music rest [For models with polished finish]	1387 mm × 424 mm × 972 mm (54-5/8" × 16-11/16" × 38-1/4") [1388 mm × 424 mm × 974 mm (54-5/8" × 16-11/16" × 38-3/8")]
Weight [For models with polished finish]	46 kg (101 lbs., 7 oz) [49 kg (108 lbs.)]
Accessories	Owner's Manual, "50 greats for the Piano" (Music Book), Quick Operation Guide, Bench (included or optional depending on locale)
	AC Power Cord

- * Specifications and descriptions in this owner's manual are for information purposes only. Yamaha Corp. reserves the right to change or modify products or specifications at any time without prior notice. Since specifications, equipment or options may not be the same in every locale, please check with your Yamaha dealer.
- * Die technischen Daten und Beschreibungen in dieser Bedienungsanleitung dienen nur der Information. Yamaha Corp. behält sich das Recht vor, Produkte oder deren technische Daten jederzeit ohne vorherige Ankündigung zu verändern oder zu modifizieren. Da die technischen Daten, das Gerät selbst oder Sonderzubehör nicht in jedem Land gleich sind, setzen Sie sich im Zweifel bitte mit Ihrem Yamaha-Händler in Verbindung.
- * Les caractéristiques techniques et les descriptions du mode d'emploi ne sont données que pour information. Yamaha Corp. se réserve le droit de changer ou modifier les produits et leurs caractéristiques techniques à tout moment sans aucun avis. Du fait que les caractéristiques techniques, les équipements et les options peuvent différer d'un pays à l'autre, adressez-vous au distributeur Yamaha le plus proche.
- * Las especificaciones y descripciones de este manual del propietario tienen sólo el propósito de servir como información. Yamaha Corp. se reserva el derecho a efectuar cambios o modificaciones en los productos o especificaciones en cualquier momento sin previo aviso. Puesto que las especificaciones, equipos u opciones pueden no ser las mismas en todos los mercados, solicite información a su distribuidor Yamaha.

MEMO

FCC INFORMATION (U.S.A.)

1. **IMPORTANT NOTICE: DO NOT MODIFY THIS UNIT!**

This product, when installed as indicated in the instructions contained in this manual, meets FCC requirements. Modifications not expressly approved by Yamaha may void your authority, granted by the FCC, to use the product.

2. **IMPORTANT:** When connecting this product to accessories and/or another product use only high quality shielded cables. Cable/s supplied with this product **MUST** be used. Follow all installation instructions. Failure to follow instructions could void your FCC authorization to use this product in the USA.

3. **NOTE:** This product has been tested and found to comply with the requirements listed in FCC Regulations, Part 15 for Class "B" digital devices. Compliance with these requirements provides a reasonable level of assurance that your use of this product in a residential environment will not result in harmful interference with other electronic devices. This equipment generates/uses radio frequencies and, if not installed and used according to the instructions found in the users manual, may cause interference harmful to the operation of

other electronic devices. Compliance with FCC regulations does not guarantee that interference will not occur in all installations. If this product is found to be the source of interference, which can be determined by turning the unit "OFF" and "ON", please try to eliminate the problem by using one of the following measures:

Relocate either this product or the device that is being affected by the interference.

Utilize power outlets that are on different branch (circuit breaker or fuse) circuits or install AC line filter/s.

In the case of radio or TV interference, relocate/reorient the antenna. If the antenna lead-in is 300 ohm ribbon lead, change the lead-in to co-axial type cable.

If these corrective measures do not produce satisfactory results, please contact the local retailer authorized to distribute this type of product. If you can not locate the appropriate retailer, please contact Yamaha Corporation of America, Electronic Service Division, 6600 Orangethorpe Ave, Buena Park, CA90620

The above statements apply **ONLY** to those products distributed by Yamaha Corporation of America or its subsidiaries.

* This applies only to products distributed by YAMAHA CORPORATION OF AMERICA.

(class B)

IMPORTANT NOTICE FOR THE UNITED KINGDOM

Connecting the Plug and Cord

IMPORTANT. The wires in this mains lead are coloured in accordance with the following code:

BLUE : NEUTRAL

BROWN : LIVE

As the colours of the wires in the mains lead of this apparatus may not correspond with the coloured markings identifying the terminals in your plug proceed as follows:

The wire which is coloured **BLUE** must be connected to the terminal which is marked with the letter **N** or coloured **BLACK**.

The wire which is coloured **BROWN** must be connected to the terminal which is marked with the letter **L** or coloured **RED**.

Making sure that neither core is connected to the earth terminal of the three pin plug.

(2 wires)

- This applies only to products distributed by Yamaha Music U.K. Ltd.

For details of products, please contact your nearest Yamaha representative or the authorized distributor listed below.

Pour plus de détails sur les produits, veuillez-vous adresser à Yamaha ou au distributeur le plus proche de vous figurant dans la liste suivante.

Die Einzelheiten zu Produkten sind bei Ihrer unten aufgeführten Niederlassung und bei Yamaha Vertragshändlern in den jeweiligen Bestimmungsländern erhältlich.

Para detalles sobre productos, contacte su tienda Yamaha más cercana o el distribuidor autorizado que se lista debajo.

NORTH AMERICA

CANADA

Yamaha Canada Music Ltd.
135 Milner Avenue, Scarborough, Ontario,
M1S 3R1, Canada
Tel: 416-298-1311

U.S.A.

Yamaha Corporation of America
6600 Orangethorpe Ave., Buena Park, Calif. 90620,
U.S.A.
Tel: 714-522-9011

CENTRAL & SOUTH AMERICA

MEXICO

Yamaha de México S.A. de C.V.
Calz. Javier Rojo Gómez #1149,
Col. Guadalupe del Moral
C.P. 09300, México, D.F., México
Tel: 55-5804-0600

BRAZIL

Yamaha Musical do Brasil Ltda.
Rua Joaquim Floriano, 913 - 4º andar, Itaim Bibi,
CEP 04534-013 Sao Paulo, SP. BRAZIL
Tel: 011-3704-1377

ARGENTINA

Yamaha Music Latin America, S.A.
Sucursal de Argentina
Viamonte 1145 Piso2-B 1053,
Buenos Aires, Argentina
Tel: 1-4371-7021

PANAMA AND OTHER LATIN AMERICAN COUNTRIES/ CARIBBEAN COUNTRIES

Yamaha Music Latin America, S.A.
Torre Banco General, Piso 7, Urbanización Marbella,
Calle 47 y Aquilino de la Guardia,
Ciudad de Panamá, Panamá
Tel: +507-269-5311

EUROPE

THE UNITED KINGDOM

Yamaha Music U.K. Ltd.
Sherbourne Drive, Tilbrook, Milton Keynes,
MK7 8BL, England
Tel: 01908-366700

IRELAND

Danfay Ltd.
61D, Sallynoggin Road, Dun Laoghaire, Co. Dublin
Tel: 01-2859177

GERMANY

Yamaha Music Central Europe GmbH
Siemensstraße 22-34, 25462 Rellingen, Germany
Tel: 04101-3030

SWITZERLAND/LIECHTENSTEIN

Yamaha Music Central Europe GmbH,
Branch Switzerland
Seefeldstrasse 94, 8008 Zürich, Switzerland
Tel: 01-383 3990

AUSTRIA

Yamaha Music Central Europe GmbH,
Branch Austria
Schleiergasse 20, A-1100 Wien, Austria
Tel: 01-60203900

CZECH REPUBLIC/SLOVAKIA/ HUNGARY/SLOVENIA

Yamaha Music Central Europe GmbH,
Branch Austria, CEE Department
Schleiergasse 20, A-1100 Wien, Austria
Tel: 01-602039025

POLAND

Yamaha Music Central Europe GmbH
Sp.z o.o. Oddział w Polsce
ul. 17 Stycznia 56, PL-02-146 Warszawa, Poland
Tel: 022-868-07-57

THE NETHERLANDS/ BELGIUM/LUXEMBOURG

Yamaha Music Central Europe GmbH,
Branch Benelux
Clarissenhof 5-b, 4133 AB Vianen, The Netherlands
Tel: 0347-358 040

FRANCE

Yamaha Musique France
BP 70-77312 Marne-la-Vallée Cedex 2, France
Tel: 01-64-61-4000

ITALY

Yamaha Musica Italia S.P.A.
Viale Italia 88, 20020 Lainate (Milano), Italy
Tel: 02-935-771

SPAIN/PORTUGAL

Yamaha Música Ibérica, S.A.
Ctra. de la Coruna km. 17, 200, 28230
Las Rozas (Madrid), Spain
Tel: 91-639-8888

GREECE

Philippos Nakas S.A. The Music House
147 Skiathou Street, 112-55 Athens, Greece
Tel: 01-228 2160

SWEDEN

Yamaha Scandinavia AB
J. A. Wettergrens Gata 1, Box 30053
S-400 43 Göteborg, Sweden
Tel: 031 89 34 00

DENMARK

YS Copenhagen Liaison Office
Generatorvej 6A, DK-2730 Herlev, Denmark
Tel: 44 92 49 00

FINLAND

F-Musiikki Oy
Kluuvikatu 6, P.O. Box 260,
SF-00101 Helsinki, Finland
Tel: 09 618511

NORWAY

Norsk filial av Yamaha Scandinavia AB
Grini Næringspark 1, N-1345 Østerås, Norway
Tel: 67 16 77 70

ICELAND

Skifan HF
Skeifan 17 P.O. Box 8120, IS-128 Reykjavik, Ice-
land
Tel: 525 5000

RUSSIA

Yamaha Music (Russia)
Office 4015, entrance 2, 21/5 Kuznetskii
Most street, Moscow, 107996, Russia
Tel: 495 626 0660

OTHER EUROPEAN COUNTRIES

Yamaha Music Central Europe GmbH
Siemensstraße 22-34, 25462 Rellingen, Germany
Tel: +49-4101-3030

AFRICA

Yamaha Corporation,
Asia-Pacific Music Marketing Group
Nakazawa-cho 10-1, Naka-ku, Hamamatsu,
Japan 430-8650
Tel: +81-53-460-2312

MIDDLE EAST

TURKEY/CYPRUS

Yamaha Music Central Europe GmbH
Siemensstraße 22-34, 25462 Rellingen, Germany
Tel: 04101-3030

OTHER COUNTRIES

Yamaha Music Gulf FZE
LOB 16-513, P.O.Box 17328, Jubel Ali,
Dubai, United Arab Emirates
Tel: +971-4-881-5868

ASIA

THE PEOPLE'S REPUBLIC OF CHINA

Yamaha Music & Electronics (China) Co.,Ltd.
25/F., United Plaza, 1468 Nanjing Road (West),
Jingan, Shanghai, China
Tel: 021-6247-2211

HONG KONG

Tom Lee Music Co., Ltd.
11/F., Silvercord Tower 1, 30 Canton Road,
Tsimshatsui, Kowloon, Hong Kong
Tel: 2737-7688

INDONESIA

PT. Yamaha Music Indonesia (Distributor)
PT. Nusantik
Gedung Yamaha Music Center, Jalan Jend. Gatot
Subroto Kav. 4, Jakarta 12930, Indonesia
Tel: 21-520-2577

KOREA

Yamaha Music Korea Ltd.
8F, 9F, Dongsung Bldg. 158-9 Samsung-Dong,
Kangnam-Gu, Seoul, Korea
Tel: 080-004-0022

MALAYSIA

Yamaha Music Malaysia, Sdn., Bhd.
Lot 8, Jalan Perbandaran, 47301 Kelana Jaya,
Petaling Jaya, Selangor, Malaysia
Tel: 3-78030900

PHILIPPINES

Yupangco Music Corporation
339 Gil J. Puyat Avenue, P.O. Box 885 MCPO,
Makati, Metro Manila, Philippines
Tel: 819-7551

SINGAPORE

Yamaha Music Asia Pte., Ltd.
#03-11 A-Z Building
140 Paya Lebar Road, Singapore 409015
Tel: 747-4374

TAIWAN

Yamaha KHS Music Co., Ltd.
3F, #6, Sec.2, Nan Jing E. Rd. Taipei.
Taiwan 104, R.O.C.
Tel: 02-2511-8688

THAILAND

Siam Music Yamaha Co., Ltd.
891/1 Siam Motors Building, 15-16 floor
Rama 1 road, Wangmai, Pathumwan
Bangkok 10330, Thailand
Tel: 02-215-2626

OTHER ASIAN COUNTRIES

Yamaha Corporation,
Asia-Pacific Music Marketing Group
Nakazawa-cho 10-1, Naka-ku, Hamamatsu,
Japan 430-8650
Tel: +81-53-460-2317

OCEANIA

AUSTRALIA

Yamaha Music Australia Pty. Ltd.
Level 1, 99 Queensbridge Street, Southbank,
Victoria 3006, Australia
Tel: 3-9693-5111

NEW ZEALAND

Music Houses of N.Z. Ltd.
146/148 Captain Springs Road, Te Papapa,
Auckland, New Zealand
Tel: 9-634-0099

COUNTRIES AND TRUST TERRITORIES IN PACIFIC OCEAN

Yamaha Corporation,
Asia-Pacific Music Marketing Group
Nakazawa-cho 10-1, Naka-ku, Hamamatsu,
Japan 430-8650
Tel: +81-53-460-2312

HEAD OFFICE Yamaha Corporation, Pro Audio & Digital Musical Instrument Division
Nakazawa-cho 10-1, Naka-ku, Hamamatsu, Japan 430-8650
Tel: +81-53-460-3273



Clavinova Web site
<http://music.yamaha.com/homekeyboard>

Yamaha Manual Library
<http://www.yamaha.co.jp/manual/>