

RKS-88 Stand Assembly



- Make sure that another person is on hand to help with the assembly and setup.
- Be very careful, when you assemble and move the VK-88 and KS-88, to make sure that you do not drop it on your hands or feet.
- To move the VK-88 and KS-88, lift it carefully—all the while keeping it level.

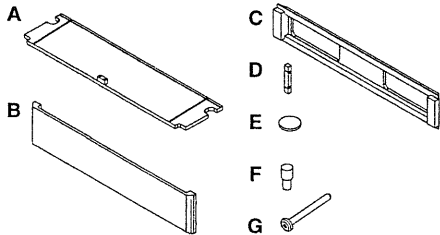


- Should you remove knob bolt and screws for stand, make sure to put them in a safe place out of children's reach, so there is no chance of them being swallowed accidentally.

Check the Parts

Before you begin assembling the stand, check that all the parts were supplied. You will also need to have a Phillips screwdriver.

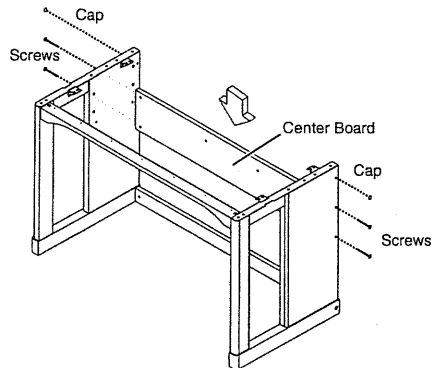
- A: Rack Board
- B: Speaker Cover
- C: Speaker Cover rear
- D: Side Block x 4
- E: Cushion x 8
- F: Dowel x 6
- G: Screw (M4 x 35 mm) x 8



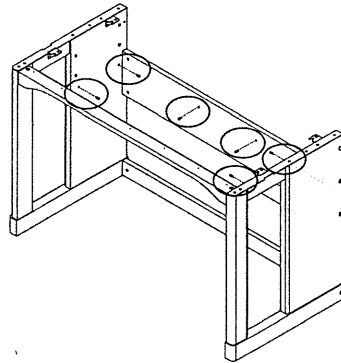
Assembly Procedure

Be sure to remove the VK-88 from its stand if it is currently set on the stand.

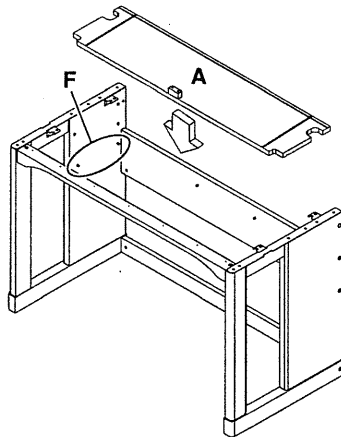
- (1) Remove the four screws securing the center board along with the two caps, move the center board position to the lower position, then resecure the center board. Attach the center board as shown in Figure (with the holes for the dowel on the upper side of the board, facing toward the front).



- (2) Twist the dowel (in six places) into the holes in the center board and side boards (left and right).

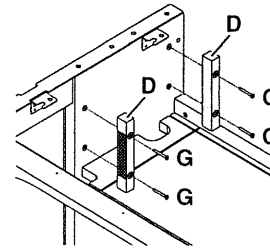


- (3) Set the rack board so that the dowels (F) fit into the grooves at the front of the rack board (A).



- (4) Attach the side boards to the side blocks (D) (in four places) with the eight screws (G).

The front side blocks have the velcro tape placed on the front. The rear side blocks have the velcro tape placed on the rear.

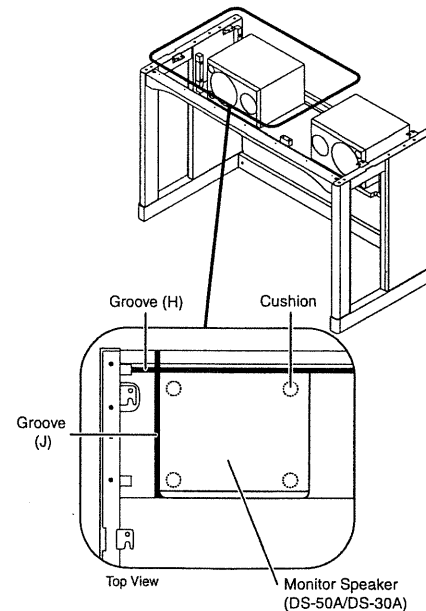


- (5) Glue the cushions to the four corners of the surface of the speaker that will be facing downward, or glue the cushions to the board on which the speakers will be placed.

- (6) Set the monitor speaker (DS-50A or DS-30A; optional) on the rack board.

Place the monitor speakers so that they are aligned with the grooves in the rear (H) and side (J) of the rack board. Lay the monitor speaker on its side, so the woofer end is closest to the side board.

Follow the same sequence of steps when setting up the other speaker.



- When installing the monitor speakers, be sure to position them so they are aligned with the grooves in the rack board.

- (7) Gather the AC cord and other cables together using the cord clamp included with the VK-88.

For instructions on how to use the cord clamp, refer to the Owner's Manual.

- Bundle all of the cords together using the cord clamp.
- Take care not to allow the cords to come into contact with the monitor speakers' heat sinks or air vents.
- Be sure to unplug the monitor speaker power cords from the AC outlet after use and whenever not using the speakers for extended periods.

Attaching the VK-88 to the Stand (KS-88)

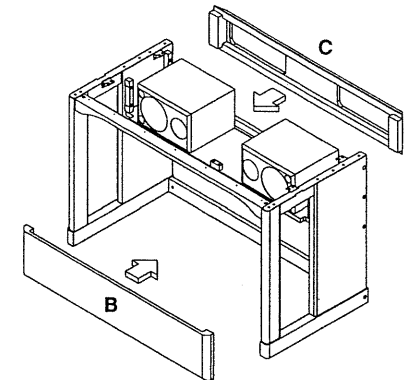
- (8) Align the screws on the bottom panel of the VK-88 with the fittings in the side boards (left and right) of the stand (KS-88), then pull the VK-88's rear panel, pulling the screws into the slots.

- When handling the VK-88, firmly grasp it at the front and back. Be careful, so you do not get your fingers pinched.

- (9) Secure the VK-88 to the stand (KS-88) with the knob bolts (one each left and right).

- (10) Connect the external devices to the VK-88.

- (11) Affix the speaker cover (B) and speaker cover rear (C) to the stand.



- Press firmly so you're sure the velcro tapes are gripping each other securely, to prevent the covers from coming off.

When Moving the VK-88

- Remove the speaker cover, rear speaker cover, and rack board from the KS-88.
- Disconnect the power cord and cables and remove the speakers, music stand, and rear cover from the VK-88.
- Keep the instrument level as you lift it, then carry it carefully. Take care so as not to allow your hands to get pinched, and avoid dropping the instrument on your feet.

Roland®

40560889

UPC 40560889



10991