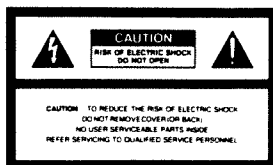


Owner's Manual

Roland Piano

3000s/4500s/5500s/5600s



The lightning flash with arrowhead symbol, within an equilateral triangle, is intended to alert the user to the presence of un-insulated "dangerous voltage" within the product's enclosure that may be of sufficient magnitude to constitute a risk of electric shock to persons.



The exclamation point within an equilateral triangle is intended to alert the user to the presence of important operating and maintenance (servicing) instructions in the literature accompanying the product.

INSTRUCTIONS PERTAINING TO A RISK OF FIRE, ELECTRIC SHOCK OR INJURY TO PERSONS.

IMPORTANT SAFETY INSTRUCTIONS

WARNING When using electric products, basic precautions should always be followed, including the following:

1. Read all the instructions before using the product.
2. To reduce the risk of injury, close supervision is necessary when a product is used near children.
3. Do not use this product near water- for example, near a bathtub, washbowl, kitchen sink, in a wet basement, or near a swimming pool, or the like.
4. This product should be used only with a cart or stand that is recommended by the manufacture.
5. This product, either alone or in combination with an amplifier and headphones or speakers, may be capable of producing sound levels that could cause permanent hearing loss.
Do not operate for a long period of time at a high volume level or at level that is uncomfortable. If you experience any hearing loss or ringing in the ears, you should consult an audiologist.
6. The product should be located so that its location or position does not interfere with its proper ventilation.
7. The product should be located away from heat sources such as radiators, heat registers or other products that produce heat.
8. The product should avoid using in where it may be effected by dust.
9. The product should be connected to a power supply only of the type described in the operating instructions or as marked on the product.
10. The power-supply cord of the product should be unplugged from the outlet when left unused for a long period of time.
11. Do not tread on the power-supply cord.
12. Do not pull the cord but hold the plug when unplugging.
13. When setting up with any other instruments, the procedure should be followed in accordance with instruction manual.
14. Care should be taken so that objects do not fall and liquids are not spilled into the enclosure through openings.
15. The product should be serviced by qualified service personnel when:
 - A: The power-supply cord or the plug has been damaged; or
 - B: Objects have fallen, or liquid has been spilled into the product; or
 - C: The product has been exposed to rain; or
 - D: The product does not appear to operate normally or exhibits a marked change in performance; or
 - E: The product has been dropped, or the enclosure damaged.
16. Do not attempt to service the product beyond that described in the user-maintenance instructions. All other servicing should be referred to qualified service personnel.

SAVE THESE INSTRUCTIONS

WARNING

THIS APPARATUS MUST BE EARTH GROUNDED.

The three conductors of the mains lead attached to this apparatus are identified with color as shown in the table below, together with the matching terminal on the UK type power plug. When connecting the mains lead to a plug, be sure to connect each conductor to the correct terminal, as indicated.

"This instruction applies to the product for United Kingdom."

MAINS LEADS		PLUG
Conductor	Color	Mark on the matching terminal
Live	Brown	Red or letter L
Neutral	Blue	Black or letter N
Grounding	Green-Yellow	Green, Green-Yellow, letter E or symbol

Bescheinigung des Herstellers /Importeurs

Hiermit wird bescheinigt, daß der/die/das

ROLAND ELECTRONIC PIANO HP-3000S/4500S/5500S/5600S

(Gerät, Typ, Bezeichnung)

in Übereinstimmung mit den Bestimmungen der

Amtsbl. Vfg 1046 / 1984

(Amtsblattverfügung)

funk-entstört ist.

Der Deutschen Bundespost wurde das Inverkehrbringen dieses Gerätes angezeigt und die Berechtigung zur Überprüfung der Serie auf Einhaltung der Bestimmungen eingeräumt.

Roland Corporation Osaka / Japan

Name des Herstellers/Importeurs

RADIO AND TELEVISION INTERFERENCE

Warning - This equipment has been verified to comply with the limits for a Class B computing device, pursuant to Subpart J, of Part 15, of FCC rules. Operation with non-certified or non-verified equipment is likely to result in interference to radio and TV reception.

The equipment described in this manual generates and uses radio-frequency energy. If it is not installed and used properly, that is, in strict accordance with our instructions, it may cause interference with radio and television reception.

This equipment has been tested and found to comply with the limits for a Class B computing device in accordance with the specifications in Subpart J, of Part 15, of FCC Rules. These rules are designed to provide reasonable protection against such a interference in a residential installation. However, there is no guarantee that the interference will not occur in a particular installation. If this equipment does cause interference to radio or television reception, which can be determined by turning the equipment on and off, the user is encouraged to try to correct the interference by the following measure:

- Disconnect other devices and their input/output cables one at a time. If the interference stops, it is caused by either the other device or its I/O cable.
- These devices usually require Roland designated shielded I/O cables. For Roland devices, you can obtain the proper shielded cable from your dealer. For non-Roland devices, contact the manufacturer or dealer for assistance.

If your equipment does cause interference to radio or television reception, you can try to correct the interference by using one or more of the following measures:

- Turn the TV or radio antenna until the interferences stops.
- Move the equipment to one side or the other of the TV or radio.
- Move the equipment farther away from the TV or radio.
- Plug the equipment into an outlet that is on a different circuit than the TV or radio. (That is, make certain the equipment and the radio or television set are on circuits controlled by different circuit breakers or fuses.)
- Consider installing a rooftop television antenna with coaxial cable lead-in between the antenna and TV.

If necessary, you should consult your dealer or an experienced radio television technician for additional suggestions. You may find helpful the following booklet prepared by the Federal Communications Commission:

"How to Identify and Resolve Radio-TV Interference Problems"

This booklet is available from the U.S. Government Printing Office, Washington, D.C., 20402, Stock No. 004-000-00345-4.

1. TRANSMITTED DATA

Status	Second	Third	Description
1001 nnnn	0kkk kkkk	0000 0000	Note OFF
1001 nnnn	0kkk kkkk	0vvv vvvv	Note ON kkkkkk=15-113 *1 vvvvvv=1-127
1011 nnnn	0100 0000	0111 1111	Hold 1 ON
1011 nnnn	0100 0000	0000 0000	Hold 1 OFF
1011 nnnn	0100 0010	0111 1111	Sostenuto ON *2
1011 nnnn	0100 0010	0000 0000	Sostenuto OFF *2
1011 nnnn	0100 0011	0111 1111	Soft ON
1011 nnnn	0100 0011	0000 0000	Soft OFF
1011 nnnn	0101 1100	0111 1111	Tremolo ON *3
1011 nnnn	0101 1100	0000 0000	Tremolo OFF *3
1011 nnnn	0101 1101	0111 1111	Chorus ON *3
1011 nnnn	0101 1101	0000 0000	Chorus OFF *3
1100 nnnn	0ppp pppp		Program Change *4 pppppp=0-127
1011 nnnn	0111 1011	0000 0000	ALL NOTES OFF *5
1011 nnnn	0111 1100	0000 0000	OMNI OFF *6
1011 nnnn	0111 1111	0000 0000	POLY ON *6
1111 1110			Active Sensing

Notes : nnnn : MIDI Channel number (0000 - 1111), ch-1=0000
Refer to Section 3.

- *1 The range may be changed by the transposition. Refer to Section 4.
- *2 If the power has been applied while the SOFT pedal being held down, the SOFT pedal will be changed to the SOSTENUTO pedal.
- *3 Refer to Section 5.
- *4 Refer to Section 6.
- *5 When all keys on the keyboard are released, the ALL NOTES OFF (\$Bn, \$7B, 0) is sent.
- *6 When power is first applied or Basic Channel is changed, OMNI OFF and POLY ON are sent in the Basic Channel.

2. RECOGNIZED RECEIVE DATA

Status	Second	Third	Description
1000 nnnn	0kkk kkkk	0vvv vvvv	Note OFF, velocity ignored
1001 nnnn	0kkk kkkk	0000 0000	Note OFF kkkkkk=0-127 (15-113) *1
1001 nnnn	0kkk kkkk	0vvv vvvv	Note ON kkkkkk=0-127 (15-113) *1 vvvvvv=1-127
1011 nnnn	0100 0000	0vvv vvvv	Hold 1 OFF vvvvvv=0-63 Hold 1 ON vvvvvv=64-127
1011 nnnn	0100 0010	0vvv vvvv	Sostenuto OFF vvvvvv=0-63 Sostenuto ON vvvvvv=64-127
1011 nnnn	0100 011	0vvv vvvv	Soft OFF vvvvvv=0-63 Soft ON vvvvvv=64-127
1011 nnnn	0101 1100	0vvv vvvv	Tremolo OFF vvvvvv=0-63 *2 Tremolo ON vvvvvv=64-127 *2
1011 nnnn	0101 1101	0vvv vvvv	Chorus OFF vvvvvv=0-63 *2 Chorus ON vvvvvv=64-127 *2
1100 nnnn	0ppp pppp		Program Change *3 pppppp=0-31
1011 nnnn	0111 1011	0000 0000	ALL NOTES OFF *4
1011 nnnn	0111 1100	0000 0000	OMNI OFF *5
1011 nnnn	0111 1101	0000 0000	OMNI ON *5
1011 nnnn	0111 1110	0000 mmmm	MONO ON *5
1011 nnnn	0111 1111	0000 0000	POLY ON *5
1111 1110			Active Sensing

Notes :

*1 Note numbers outside of the range 15-113 are transposed to the nearest octave inside this range.
The transpose function does not affect the recognized NOTE numbers.

*2 If the power has been applied while the PIANO 1 switch being held down, this message is ignored.

*3 If the power has been applied while the PIANO 1 switch being held down, this message is ignored.

Received Program Change messages are assigned as follows.
The program numbers 32-127 are ignored.

Prog#	Voice	CHORUS	TREMOLO
0	PIANO 1	OFF	OFF
1	PIANO 2	OFF	OFF
2	PIANO 3	OFF	OFF
3	HARPSICHORD	OFF	OFF
4	CLAVI	OFF	OFF
5	VIBRAPHONE	OFF	OFF
6	E.PIANO 1	OFF	OFF
7	E.PIANO 2	OFF	OFF
8	PIANO 1	ON	OFF
9	PIANO 2	ON	OFF
10	PIANO 3	ON	OFF
11	HARPSICHORD	ON	OFF
12	CLAVI	ON	OFF
13	VIBRAPHONE	ON	OFF
14	E.PIANO 1	ON	OFF
15	E.PIANO 2	ON	OFF
16	PIANO 1	OFF	ON
17	PIANO 2	OFF	ON
18	PIANO 3	OFF	ON
19	HARPSICHORD	OFF	ON
20	CLAVI	OFF	ON
21	VIBRAPHONE	OFF	ON
22	E.PIANO 1	OFF	ON
23	E.PIANO 2	OFF	ON
24	PIANO 1	ON	ON
25	PIANO 2	ON	ON
26	PIANO 3	ON	ON
27	HARPSICHORD	ON	ON
28	CLAVI	ON	ON
29	VIBRAPHONE	ON	ON
30	E.PIANO 1	ON	ON
31	E.PIANO 2	ON	ON

If the power has been applied while the PROGRAM CHANGE switch being held down, received Program Change messages don't affect TREMOLO and CHORUS and are assigned as follows.

The program numbers 8-127 are ignored.

Prog#	Voice
0	PIANO 1
1	PIANO 2
2	PIANO 3
3	HARPSICHORD
4	CLAVI
5	VIBRAPHONE
6	E.PIANO 1
7	E.PIANO 2

*4 When the ALL NOTES OFF is recognized, all the notes which have been turned ON only by MIDI IN note ON messages are returned OFF. However, if the damper ON message has been recognized, these ON notes will be not turned OFF until the Damper OFF message is received.

*5 These Mode Messages (2nd byte=123-127) are also recognized as ALL NOTES OFF.

Mode Messages are recognized as follows :

	POLY ON (127)	MONO ON (126) mmmm=1	MONO ON (126) mmmm<> 1
OMNI OFF (124)	OMNI=OFF POLY	OMNI=OFF POLY	OMNI=ON POLY
OMNI ON (125)	OMNI= ON POLY	OMNI=ON POLY	OMNI=ON POLY

3. BASIC CHANNEL SETTING

When the power is first applied, the Basic Channel is normally set to 1, and the receiver is set to the MODE 3 (OMNI OFF, POLY ON).

However, the Basic Channel may be changed when the following key on the keyboard is pressed while the TRANSPOSE switch being held down. The receiver will be set to the MODE 3 (OMNI OFF, POLY ON).

When the highest key (C8) on the keyboard is pressed while the TRANSPOSE switch being held down. The Basic Channel will be set to 1, and the receiver is set to the MODE 1 (OMNI ON, POLY ON).

Key	Basic Channel	OMNI
Power-on	1	OFF
A 0	1	OFF
A# 0	2	OFF
B 0	3	OFF
C 1	4	OFF
C# 1	5	OFF
D 1	6	OFF
D# 1	7	OFF
E 1	8	OFF
F 1	9	OFF
F# 1	10	OFF
G 1	11	OFF
G# 1	12	OFF
A 1	13	OFF
A# 1	14	OFF
B 1	15	OFF
C 2	16	OFF
C 8	1	ON

4. TRANSPOSE

When the power is first applied, the default transposition is set at 0. The following chart shows the relation of the key position and transposed value. (While the TRANSPOSE switch being held down.)

Key	Transposed value (semi tones)	Transmitted note range
Power-on	0	21 - 108
F# 6	-6	15 - 102
G 6	-5	16 - 103
G# 6	-4	17 - 104
A 6	-3	18 - 105
A# 6	-2	19 - 106
B 6	-1	20 - 107
C 7	0	21 - 108
C# 7	+1	22 - 109
D 7	+2	23 - 110
D# 7	+3	24 - 111
E 7	+4	25 - 112
F 7	+5	26 - 113

5. TREMOLO, CHORUS TRANSMISSION

When the CHORUS switch or the TREMOLO switch is pressed while the PROGRAM CHANGE switch being held down, the function's ON or OFF message is sent.

And also, if the power has been applied while the PROGRAM CHANGE switch being held down, the function's ON or OFF message can be sent by only pressing the TREMOLO switch or the CHORUS switch.

6. PROGRAM CHANGE TRANSMISSION

When one of the following switches is pressed while holding the EXT PROG CHANGE switch down.

And also, if the power has been applied while the EXT PROG CHANGE switch being held down, the PROGRAM CHANGE message can be sent by only pressing following switches.

Switch	Prog#
PIANO 1	0
PIANO 2	1
PIANO 3	2
HARPSICHORD	3
CLAVI	4
VIBRAPHONE	5
E.PIANO 1	6
E.PIANO 2	7

The following table shows the GROUP, BANK and NUMBER values related with key position which is set while the TRANSPOSE switch being held down.

Key	Related	value
A 3	GROUP	A
B 3	GROUP	B
F#	BANK	1
G# 2	BANK	2
A# 2	BANK	3
C# 3	BANK	4
D# 3	BANK	5
F# 3	BANK	6
G# 3	BANK	7
A# 3	BANK	8
F 2	NUMBER	1
G 2	NUMBER	2
A 2	NUMBER	3
B 2	NUMBER	4
C 3	NUMBER	5
D 3	NUMBER	6
E 3	NUMBER	7
F 3	NUMBER	8

When one of the above-mentioned keys is pressed while the TRANSPOSE switch being held down, a PROGRAM CHANGE message will be transmitted. The transmitted program change numbers are related with the GROUP, BANK and NUMBER values as follows.

GROUP	NUMBER	1	2	3	4	5	6	7	8
	BANK								
A	1	0	1	2	3	4	5	6	7
	2	8	9	10	11	12	13	14	15
	3	16	17	18	19	20	21	22	23
	4	24	25	26	27	28	29	30	31
	5	32	33	34	35	36	37	38	39
	6	40	41	42	43	44	45	46	47
	7	48	49	50	51	52	53	54	55
	8	56	57	58	59	60	61	62	63
B	1	64	65	66	67	68	69	70	71
	2	72	73	74	75	76	77	78	79
	3	80	81	82	83	84	85	86	87
	4	88	89	90	91	92	93	94	95
	5	96	97	98	99	100	101	102	103
	6	104	105	106	107	108	109	110	111
	7	112	113	114	115	116	117	118	119
	8	120	121	122	123	124	125	126	127

FEATURES

The Roland Piano utilize SA/S technology to reproduce the timbres, dynamics, and characteristics of many of the world's most famous acoustic and electric keyboard instruments. These instrument voices include two acoustic grand pianos, electric grand piano, harpsichord, clavi, vibraphone and two electric pianos.

The Roland Piano includes built-in Chorus and Tremolo effects.

Each of the keyboard timbres of the Roland Piano can be controlled via the keyboard of its own or through MIDI with full control over velocity (dynamics).

CONTENTS

IMPORTANT NOTES	4
HOW TO SET UP THE PIANO	4
1 PANEL DESCRIPTION	5
2 OPERATION	7
1. Basic Operation	7
2. Tone Selection	7
3. Tuning	8
4. Damper/Soft Pedal	8
a. Damper Pedal	8
b. Soft Pedal	8
c. Sostenuto Pedal	8
5. Brilliance	9
6. Chorus/Tremolo	9
a. Chorus	9
b. Tremolo	9
7. Headphones	10
8. Key Transpose	10
3 SETUP WITH AUXILLARY AUDIO EQUIPMENT	11
1. Input Jacks	11
2. Output Jacks	11
4 MIDI	12
1. MIDI Connectors	12
a. MIDI IN Connector	12
b. MIDI OUT Connector	12
c. MIDI THRU Connector	12
2. Setting MIDI Channels	12
a. Roland Piano as a MIDI Keyboard Controller	12
b. Roland Piano as a MIDI Sound Module	12
3. Program Change	13
<input type="checkbox"/> Receive	13
<input type="checkbox"/> Transmit	13
a. Using the Program Change Button and Tone Selectors	13
b. Using the Key Transpose Button and Keyboard	13
4. Chorus/Tremolo	14
5. MIDI Functions	14
6. MIDI LOCAL SWITCH	14
SPECIFICATIONS	17

Copyright © 1987 by ROLAND CORPORATION

All rights reserved. No part of this publication may be reproduced in any form without the written permission of ROLAND CORPORATION.

IMPORTANT NOTES

Power Supply

Do not use the same socket that is used for any noise generating device, such as a motor or variable lighting system.

This unit might not work properly if the power cable is plugged in with the unit turned on. If this happens, simply turn the unit off, and turn it on again in a few seconds.

The appropriate voltage to be used is shown on the name plate on the rear panel. Be sure that the voltage system in your country meets the requirement.

Power Cord

When disconnecting the power cord from the socket, do not hold the cord but the plug. When the unit is not to be used for a long period, disconnect the power cord.

Location

- Operating this unit near a neon or fluorescent lamp may cause noise interference. If so, change the angle or position of the unit.
- Avoid using this unit in extreme heat or humidity or where it may be affected by dust.

Cleaning

- Use a soft cloth and clean only with a mild detergent.
- Do not use solvents such as paint thinner.

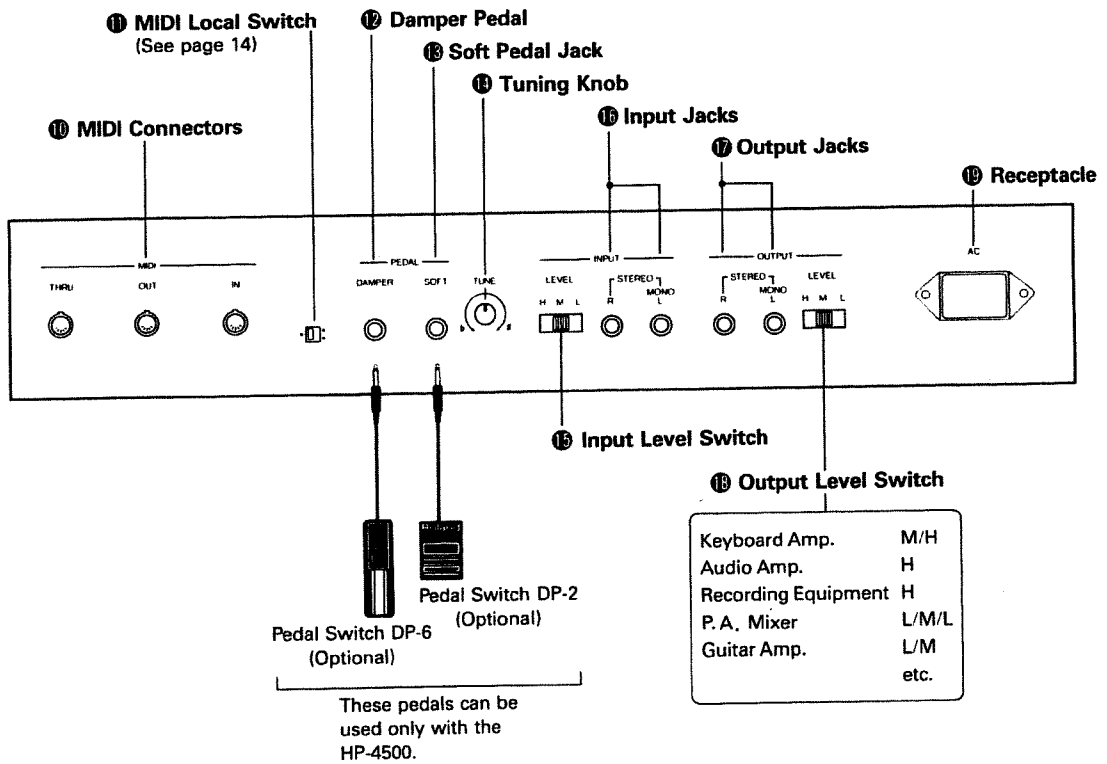
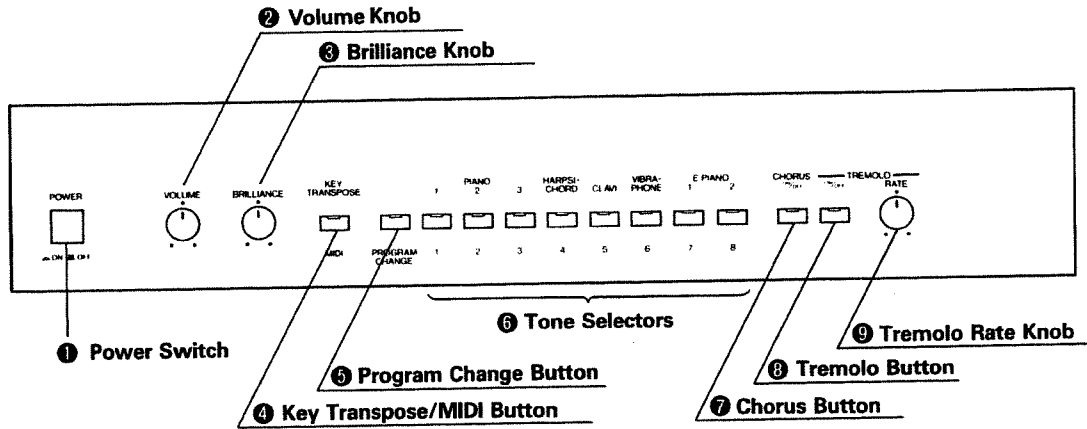
HOW TO SETUP THE PIANO

1. Connect the supplied power cord to the Receptacle ⑩ on the rear panel.
2. Connect the plug to the wall socket.

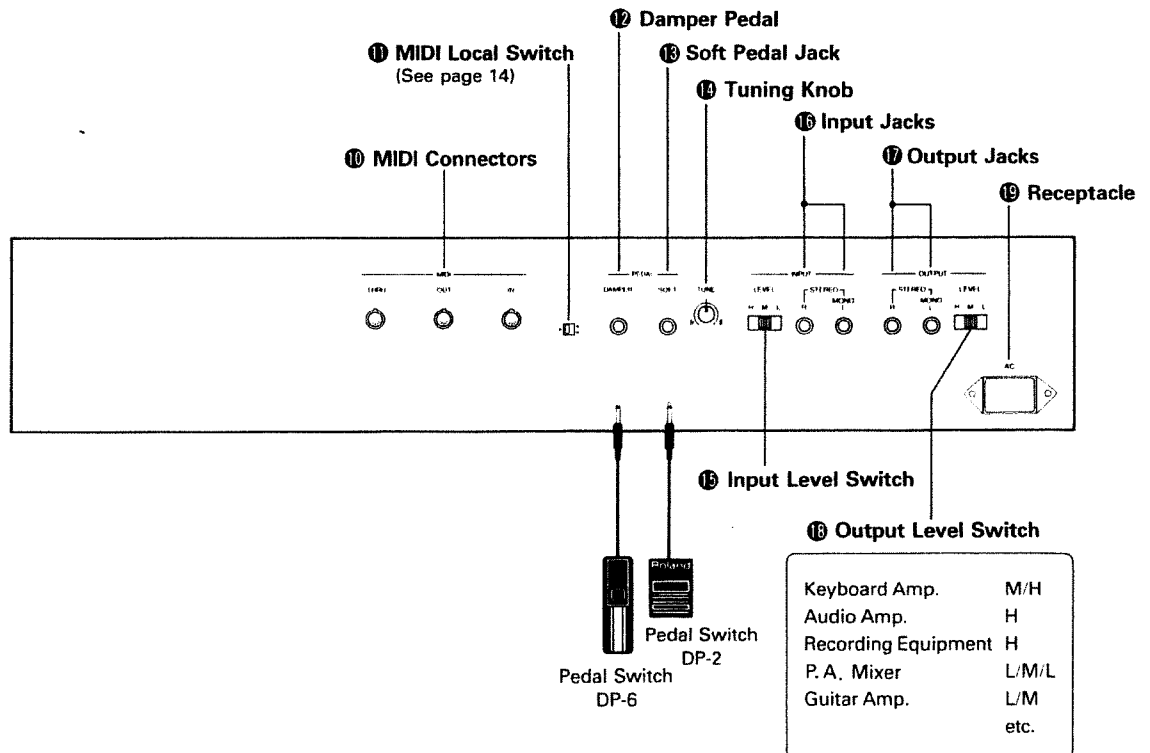
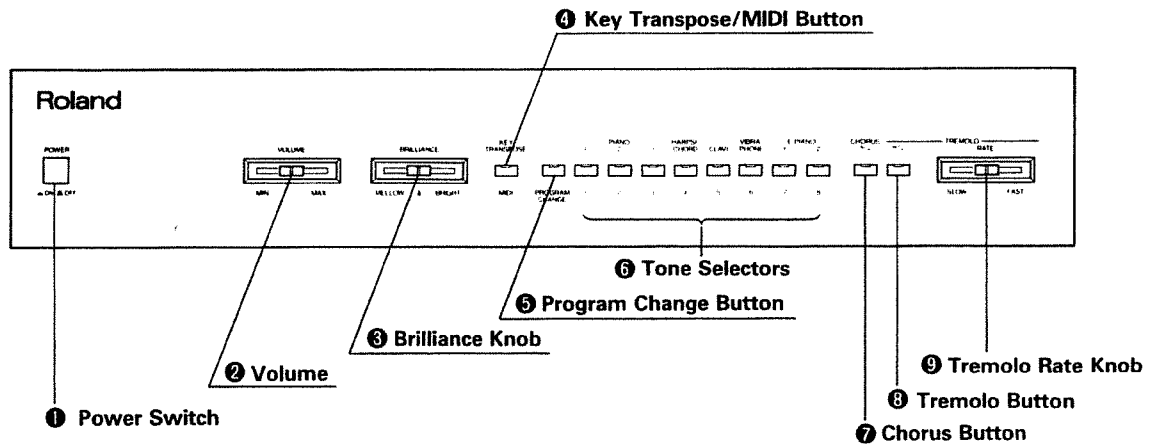
* Be sure to take step 1 then 2. Do not do it the other way round.

1 PANEL DESCRIPTION

HP-4500S/5500S/5600S



HP-3000S



2 OPERATION

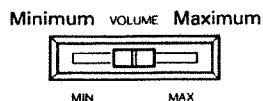
1. Basic Operation

① Turn the piano on.

* For about 2 seconds after turned on, the piano cannot be played because of the muting circuit.

② Adjust the volume with the Volume Knob ②.

<HP-3000S>

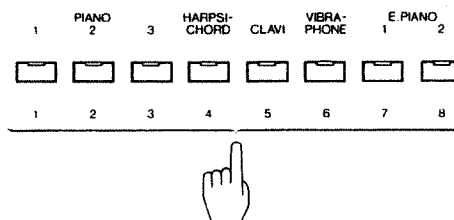


<HP-4500S/5500S/5600S>



2. Tone Selection

The Roland Piano features 8 keyboard sounds; two acoustic grand pianos, electric grand piano, harpsichord, clavi, vibraphone and two electric pianos. To select one of these voices, press one of the Tone Selector buttons numbered 1 through 8. One keyboard sound can be selected at a time.



VOICE PRESERVE FUNCTION

The Roland Piano features the Voice Preserve Function, that is, while you are playing the keyboard using a certain tone color, you can request the next tone color to be used, without the tone actually changing until you release all the keys.

When the piano is being played with the Note or Damper ON, the tone color does not change. (the indicator of the corresponding sound flashes.) To change the voices, lift all Notes and the Damper OFF. (Now, the indicator of the new voice is constantly lighted.)

3. Tuning

The Tune Knob is provided for controlling the overall tuning center of the Roland Piano. This is especially useful for tuning to other acoustic instruments, synthesizers, and synthesizer sound modules. Since the Roland Piano incorporates S/A Synthesis, the tuning of individual notes will never be necessary. At its center position, Middle A = 442Hz.

At the Center Position,
middle A = 442Hz

TUNE



4. Damper/Soft Pedal

The Damper Pedal Jack and Soft Pedal Jack are provided to connect the cables from the stand's pedals or the DP-2/DP-6. These pedals function just like the damper and soft pedal on an acoustic piano.

* The Soft Pedal can be used as a Sostenuto pedal.

a. Damper Pedal

The Damper Pedal makes the sound decay slowly.

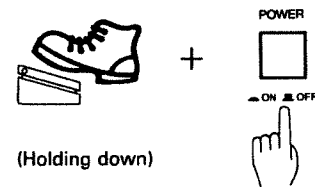
b. Soft Pedal

The Soft Pedal serves to make the performance softer.

c. Sostenuto Pedal

How to turn the Soft Pedal to Sostenuto Pedal.

Connect the Soft Pedal to the Soft Pedal Jack, and turn the piano on while holding the pedal down.



Now, the Soft Pedal works as a Sostenuto Pedal.

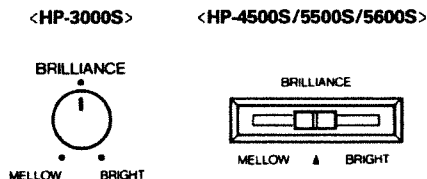
When the pedal is turned to a Sostenuto Pedal, it loses the Soft Pedal function.

Pressing the Sostenuto Pedal will turn on the Damper of the note currently played. The following notes will not take on any effect.

* To return the pedal to the Soft Pedal, turn the piano off once, then turn it on again.

5. Brilliance

As you move the Brilliance knob ③ rightward, the tone will be brighter, and mellower when moved leftward.



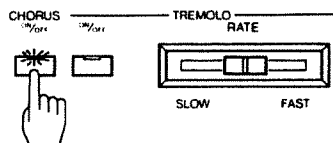
6. Chorus/Tremolo

The piano includes built-in Chorus and Tremolo effects.

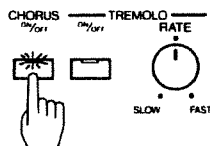
a. Chorus

By pressing the Chorus button ⑦, a lush stereo chorus effect can be obtained through the instrument's internal speaker/amplifier system or via the stereo outputs.

<HP-3000S>



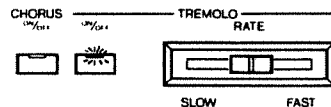
<HP-4500S/5500S/5600S>



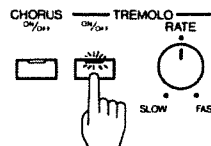
b. Tremolo

The Tremolo button ⑧ engages the tremolo effect. The Tremolo circuit is stereo and is especially useful when used with the electric piano and vibraphone sounds.

<HP-3000S>



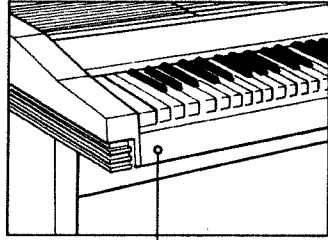
<HP-4500S/5500S/5600S>



The Tremolo Rate Knob ⑨ is used to increase or decrease the speed of the tremolo effect. Moving it rightward increases the tremolo speed while moving it leftward decreases the speed of the effect.

* On/Off of the Tremolo and/or the Chorus effect can be separately set in each voice and is retained until the piano is turned off.

7. Headphone



Headphone Jack

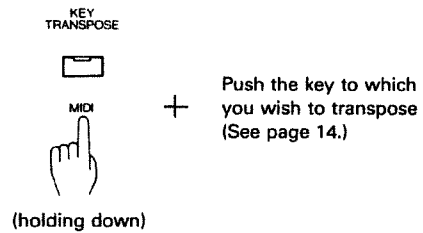
Standard stereo headphones can be used with the Roland Piano for private listening and practice. Connecting the headphone plug to the headphone jack will disconnect the internal speakers. The Volume knob ② on the front panel will adjust the headphone volume.

8. Key Transpose

The keyboard of your Roland Piano can be transposed within a range of up a perfect 4th and down a diminished 5th.

<Procedure>

While holding the Transpose Button ④ down, press the key (F# to F) to which you wish to transpose.



While the button is being held down, the indicator flashes. When the button and the key are both released, the indicator will glow steadily showing that transposition is done.

Once the key is transposed, the Transpose On or Off can be selected by pushing the Key Transpose Switch ④.

* While you are taking the transposing procedure, the Piano cannot be played.

3 SETUP WITH AUXILLARY AUDIO EQUIPMENT

1. Input Jakcs ⑯

The external input jacks are provided for connecting the outputs of other electronic instruments to the internal speakers and amplifier of the Roland Piano. A level switch is also provided to match the output of the device(s) to the input of the speaker/amplifier. Usually, the switch should be set to the high (H) position. However, if you detect audible distortion through the speakers, select either the middle (M) or low (L) position.

2. Ouput Jacks ⑰

These Output Jacks are provided for connecting the Roland Piano to larger sound systems such as a home stereo system, multi-track recorders, mixers, and/or auxillary instrument amplifiers. As with the Input Jacks, the Output Jacks have a three-way switch for setting the output level. The Output Jacks can be used in a stereo or monaural configuration.

<Setup>

- ① Turn down the volume of the external amplifier connected to the piano.
- ② Connect the Output Jacks of the piano to the Line In's (e.g. AUX) of the amplifier.
- ③ Adjust the volume of the piano with the Output Level Switch ⑱.
- ④ Adjust the volume of the amplifier.

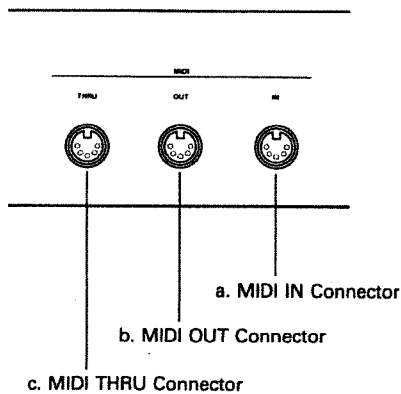
* Connecting the headphone plug to the headphone jack will disconnect the internal speakers.

4 MIDI

Part of the power of your Roland Piano is in the use of the MIDI (Musical Instrument Digital Interface). To learn more about MIDI and the various music systems that can be added to your HP-Piano, refer to the enclosed booklet "MIDI" and the MIDI implementation chart in the back of this owner's manual.

1. MIDI Connectors

The Roland Piano has MIDI IN, MIDI OUT and MIDI THRU Connectors on the rear panel.



a. MIDI IN Connector

When using the piano as a MIDI sound module controlled by the external MIDI device, connect the MIDI IN Connector to the MIDI OUT or MIDI THRU on the external device.

b. MIDI OUT Connector

When using the piano as a keyboard controller that drives the external device, connect the MIDI OUT Connector to the MIDI IN on the external device.


c. MIDI THRU Connector

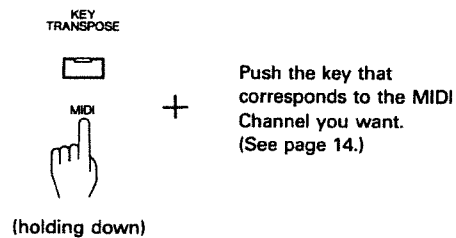
Through this, the exact copy of the signal fed into the MIDI IN is sent out.

2. Setting MIDI Channels

The Roland Piano cannot have different MIDI channels for transmitting and receiving.

<How to set MIDI Channels>

While holding the MIDI Button  down, push the key that corresponds to the MIDI Channel number you want.



* Usually, the default setting for receive channel is OMNI OFF, and transmit channel is CH 1.

a. Roland Piano as a MIDI Keyboard Controller

To use the piano as a MIDI keyboard controller, it is necessary to match the transmit channel of the piano to the receive channel of the connected MIDI sound module.

b. Roland Piano as a MIDI Sound Module

When using the piano as a MIDI sound module, set the receive MIDI channel of the piano to the same as the transmit channel of the MIDI device that controls the piano.

3. Program Change

Receive

The Roland Piano receives 1 to 32 Program Changes, but does not receive 33 to 128.

Transmit.

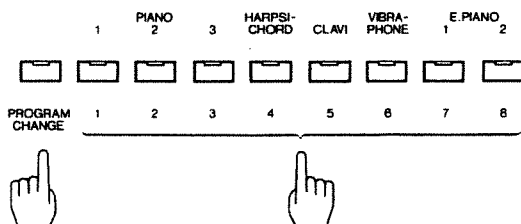
The Roland Piano allows to send the Program Change in two different ways; with the Tone Selector buttons or with the keyboard.

a. Using the Program Change Button and Tone Selectors

Using the Program Change Button and the Tone Selectors 1 to 8, Program Change messages can be transmitted.

<Procedure>

While holding the Program Change Switch ⑤ down, press one of the Tone Selector buttons (1 to 8). In this way, the corresponding Program Change 1 to 8 can be transmitted.



b. Using the Key Transpose Button and Keyboard

Using the Key Transpos Button and keyboard, 1 to 128 Program Change messages can be transmitted. The table at the top right shows how the Group/Bank/Voice numbers on the piano correspond to the Program numbers.

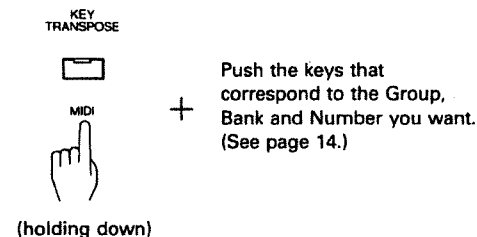
Program Change Table

	BANK	1	2	3	4	5	6	7	8
A	1	1	2	3	4	5	6	7	8
	2	9	10	11	12	13	14	15	16
	3	17	18	19	20	21	22	23	24
	4	25	26	27	28	29	30	31	32
	5	33	34	35	36	37	38	39	40
	6	41	42	43	44	45	46	47	48
	7	49	50	51	52	53	54	55	56
	8	57	58	59	60	61	62	63	64
B	1	65	66	67	68	69	70	71	72
	2	73	74	75	76	77	78	79	80
	3	81	82	83	84	85	86	87	88
	4	89	90	91	92	93	94	95	96
	5	97	98	99	100	101	102	103	104
	6	105	106	107	108	109	110	111	112
	7	113	114	115	116	117	118	119	120
	8	121	122	123	124	125	126	127	128

<Procedure>

While holding the Key Transpose Button ④ down, push the keys that correspond to the Group, Bank and Number you need.

The Group (A, B), Bank (1 to 8) and Number (1 to 8) correspond to the keyboard as shown on the last page of the manual.



4. Chorus/Tremolo

To transmit On/Off of the Chorus or Tremolo effect, push the Chorus or Tremolo Button which you want to transmit, while holding the Program Change Button down.

5. MIDI Functions

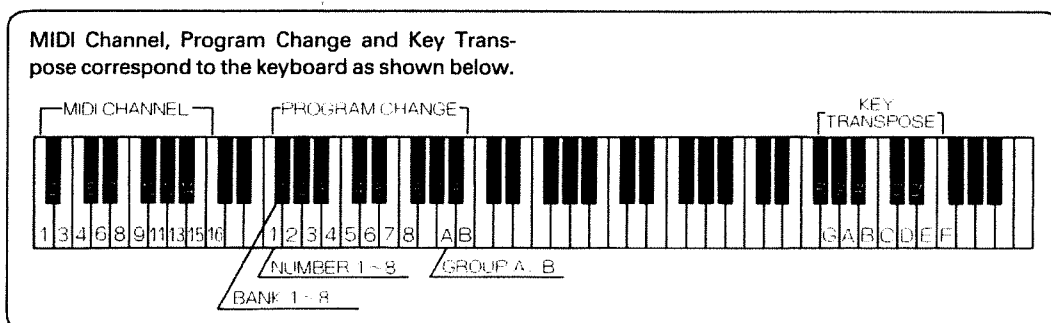
The Roland Piano can select any of the following three modes that decide how the messages are received and transmitted.

- (I) Note On/Off, Pedal, Program Change and On/Off of Chorus and Tremolo are transmitted and received.
- (II) Note On/Off, Pedal, Program Change and On/Off of Chorus and Tremolo are transmitted. Pedal and Program Change messages are not received.
- (III) Note On/Off, Pedal, Program Change and On/Off of Chorus and Tremolo are transmitted and received even without taking the procedure on page 13. The moment a new voice is selected on the piano, the corresponding Program Change (1 to 8) is transmitted. The Chorus or Tremolo On/Off is also transmitted. This mode may be used when recording the data into a MIDI sequencer and playing it back.

<How to select one of the three modes>

- (I) Turning the piano on will automatically select this mode.
- (II) Turn the piano on while holding down the Tone Selector Button Piano 1.
- (III) Turn the piano on while holding the Program Change button down.

MIDI Channel, Program Change and Key Transpose correspond to the keyboard as shown below.

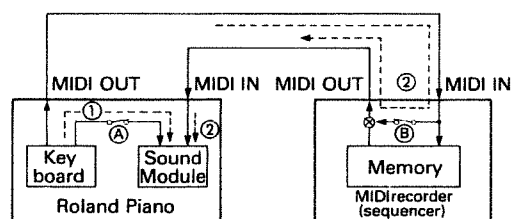


6. MIDI Local Switch

- position: LOCAL ON
- : position: LOCAL OFF

When using the Roland Piano with a MIDI recorder (sequencer), you may notice that it stutters or the maximum voices are reduced. This is because the same keyboard information travels to the sound module section of the piano through the internal connection (①) and via sequencer (②). To resolve this, both the MIDI piano and sequencer provide the function that can cut off the information. On a piano, this function is turned on or off with the Local Switch, and on a sequencer, Soft Thru Switch.

Most of the sequencers are default to SOFT THRU OFF, and therefore free from the above trouble. However, if the sequencer does not feature SOFT THRU Switch, set LOCAL OFF on the piano by setting the Local Switch to the ":" position.



- Ⓐ LOCAL SWITCH
- Ⓑ SOFT THRU SWITCH

* These switches do not mechanically exist. These are the functions engaged in the software.

MIDI Implementation Chart

Function...		Transmitted	Recognized	Remarks
Basic Channel	Default Changed	1 1-16	1 1-16	
Mode	Default Messages Altered	Mode 3 POLY, OMNI OFF *****	Mode 3 POLY, OMNI ON/OFF MONO (M≠1) → 1, (M=1) → 3	
Note Number	True Voice	15-113 *****	0-127 15-113	
Velocity	Note ON Note OFF	○ × (9n, v=0)	○ ×	v=1-127
After Touch	Key's Ch's	× ×	× ×	
Pitch Bender		×	×	
Control Change	64 66 67 92 93	○ ○ ○ ○ ○	○ ○ ○ ○ ○	Hold 1 (Damper pedal) Sostenuto pedal Soft pedal Tremolo Chorus
Prog Change	True #	○ (0-127) *****	○ (0-31) can be ignored by 0-31 power-up setting	
System Exclusive		×	×	
System common	Song Pos Song sel True	× × ×	× × ×	
System Real Time	Clock Commands	× ×	× ×	
Aux Message	Local ON/OFF All Notes OFF Active Sense Reset	× ○ ○ ×	× ○ (123-127) ○ ×	
Notes	When power on, ch-1 OMNI OFF and POLY are sent. When Basic Channel is changed, Mode is set to 3.			

Mode 1 : OMNI ON, POLY
Mode 3 : OMNI OFF, POLY

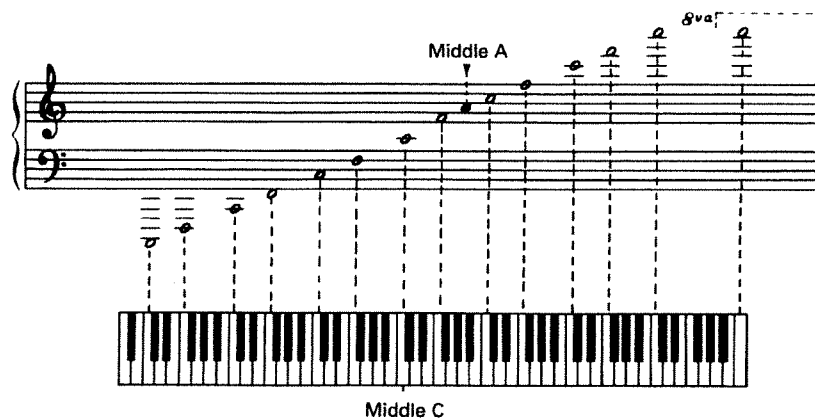
Mode 2 : OMNI ON, MONO
Mode 4 : OMNI OFF, MONO

○ : Yes
× : No

SPECIFICATIONS

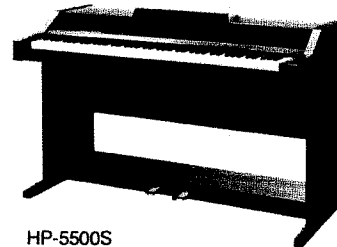
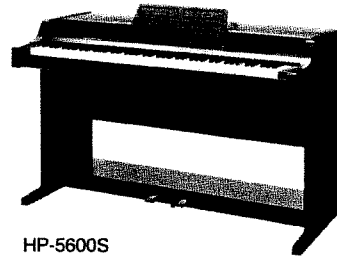
	HP-3000S	HP-4500S	HP-5500S	HP-5600S
Keyboard	88 Keys, 16 Voice Polyphonic (10 Voice Polyphonic for Harpsichord, Clavi and Electric Piano 2)			
Preset Voices	Pianos 1, 2, 3, Harpsichord, Clavi, Vibraphone, Electric Pianos 1, 2			
Effects	Chorus ON/OFF, Tremolo ON/OFF, Tremolo Rate			
Connectors	Output Jacks (Mono, Stereo) Input Jacks (Mono, Stereo) Damper Pedal Jack Soft Pedal Jack MIDI IN Connector MIDI OUT Connector MIDI THRU Connector			
Switches	Power Switch, Output Level Switch, Input Level Switch			
Speakers	16cm × 2, 6.5cm × 2	20cm × 2, 5cm × 2	25cm × 2, 12cm × 2, Dome Tweeter × 2	
Output	13W × 2	15W × 2	30W × 2	
Finish	Roland Original Oak	Roland Original Rosewood		Walnut urethane coated
Dimensions W × D × H	1405 × 461 × 133mm 55 ⁵ / ₁₆ " × 18 ¹ / ₈ " × 5 ¹ / ₄ "	1383 × 480 × 189mm 54 ⁷ / ₁₆ " × 18 ⁷ / ₈ " × 7 ⁹ / ₁₆ "	1383 × 546 × 822mm 54 ⁷ / ₁₆ " × 21 ¹ / ₂ " × 32 ¹ / ₂ " (including a stand)	
Weight	39kg	42kg	93kg (including a stand)	
Consumption	117V: 60W 220/240V: 80W		117V: 130W 220/240V: 190W	
Accessories	Music Rest, Power Cord		Stand, Music Rest, Power Cord	

Sound Range Diagram



■ STAND ASSEMBLY (HP-5500S/5600S)

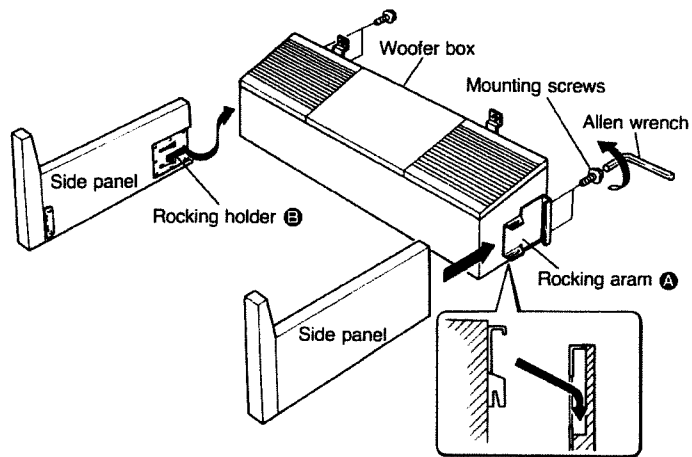
ASSEMBLY DRAWING



* To assemble the KS-3000/4500 (optional stand for the HP-3000S/4500S), see the instructions supplied with the KS-3000/4500.

1

- Fit the rocking arm **A** on each end of the woofer box into the groove of the rocking holder **B** on each side panel.
- Fix the side panels with 4 mounting screws.

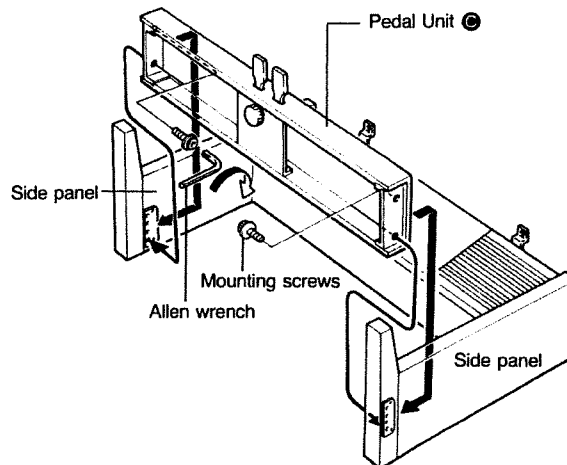


Accessories:

Mounting screws	8
Connecting pins	2
Allen wrench	1
Screwdriver	1

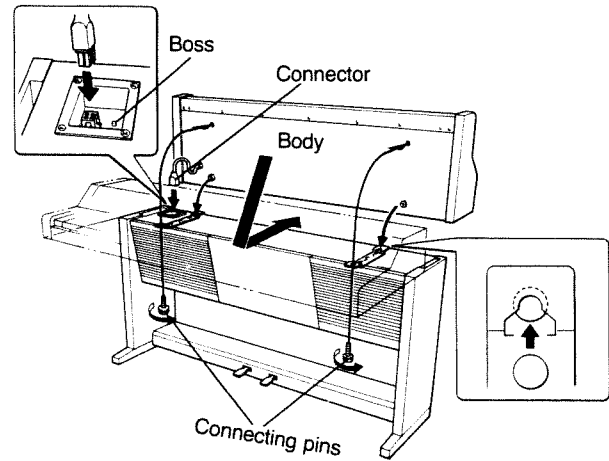
2

- Install the pedal unit **C** to both side panels as shown in the figure.
- Fix it with 4 mounting screws using the allen wrench.

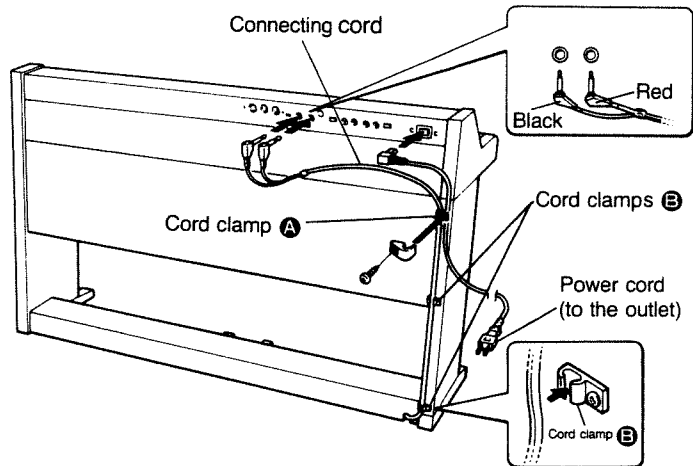


3

- Set the assembled stand upright.
- Link the connector of the Piano with the connector at the upper left of the stand (with the pawl facing to the boss on the connector housing).
- Place the body of the Piano on the stand using care not to have the connecting cords caught and then fix the body with connecting pins. (Use a large size screwdriver or a coin to tighten the connecting pins.)

**4**

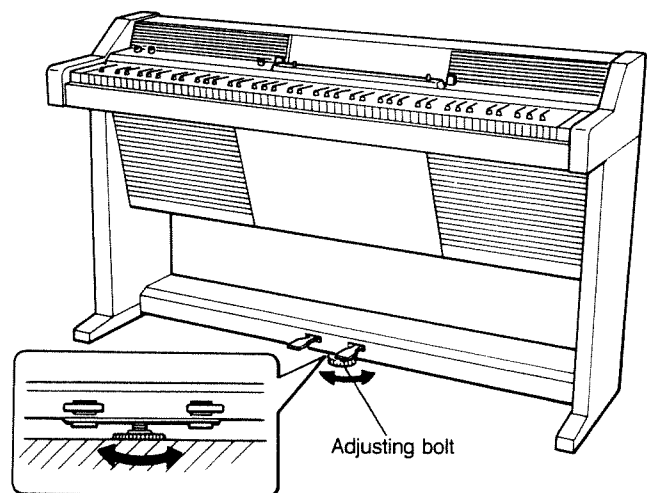
- Loosen the screw of the cord clamp **A** with the screwdriver supplied with the unit, put the power cord into the clamp and retighten the screw.
- Push the connecting cord into the cord clamps **B**.
- Connect the connecting cord to the jacks on the rear of the body.

**5**

- After installing the assembled stand in place, turn the adjusting bolt to prevent deflection of the pedal unit.

CAUTION:

Whenever it is necessary to move the Piano, make sure to remove the body from the stand by reversing the assembly procedure and move them separately.

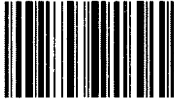


Roland®

76183402

UPC

76183402



1898:

Roland®