

Roland®

DIVIDED PICKUP GK-2A

Owner's Manual

Thank you for purchasing the **Roland GK-2A** divided pickup.

Before using this unit, carefully read the sections entitled:

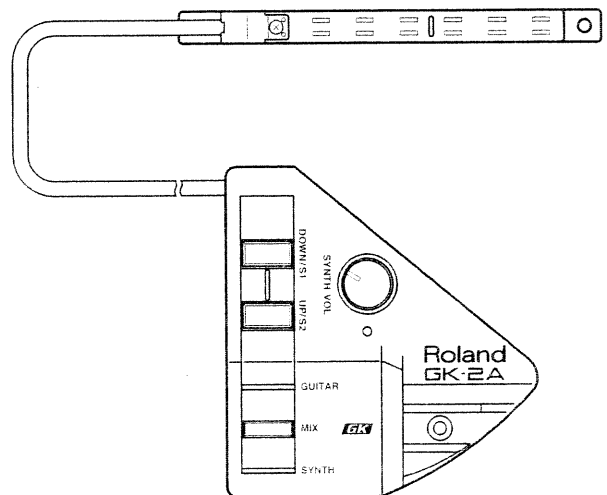
- **USING THE UNIT SAFELY** (page 2-3)
- **IMPORTANT NOTES** (page 7)

These sections provide important information concerning the proper operation of the unit.

Additionally, in order to feel assured that you have gained a good grasp of every feature provided by your new unit, Owner's manual should be read in its entirety. The manual should be saved and kept on hand as a convenient reference.

Copyright © 2000 Roland CORPORATION

All rights reserved. No part of this publication may be reproduced in any form without the written permission of Roland CORPORATION.



USING THE UNIT SAFELY

INSTRUCTIONS FOR THE PREVENTION OF FIRE, ELECTRIC SHOCK, OR INJURY TO PERSONS

About ⚠ WARNING and ⚠ CAUTION Notices

⚠ WARNING	Used for instructions intended to alert the user to the risk of death or severe injury should the unit be used improperly.
⚠ CAUTION	Used for instructions intended to alert the user to the risk of injury or material damage should the unit be used improperly. * Material damage refers to damage or other adverse effects caused with respect to the home and all its furnishings, as well to domestic animals or pets.

About the Symbols

	The ⚠ symbol alerts the user to important instructions or warnings. The specific meaning of the symbol is determined by the design contained within the triangle. In the case of the symbol at left, it is used for general cautions, warnings, or alerts to danger.
	The ⓧ symbol alerts the user to items that must never be carried out (are forbidden). The specific thing that must not be done is indicated by the design contained within the circle. In the case of the symbol at left, it means that the unit must never be disassembled.
	The ● symbol alerts the user to things that must be carried out. The specific thing that must be done is indicated by the design contained within the circle. In the case of the symbol at left, it means that the power-cord plug must be unplugged from the outlet.

ALWAYS OBSERVE THE FOLLOWING

WARNING

- Before using this unit, make sure to read the instructions below, and the Owner's Manual.

- Do not open or perform any internal modifications on the unit.

- Do not attempt to repair the unit, or replace parts within it (except when this manual provides specific instructions directing you to do so). Refer all servicing to your retailer, the nearest Roland Service Center, or an authorized Roland distributor, as listed on the "Information" page.

- Never use or store the unit in places that are:
 - Subject to temperature extremes (e.g., direct sunlight in an enclosed vehicle, near a heating duct, on top of heat-generating equipment); or are
 - Damp (e.g., baths, washrooms, on wet floors); or are
 - Humid; or are
 - Exposed to rain; or are
 - Dusty; or are
 - Subject to high levels of vibration.

WARNING

- Make sure you always have the unit placed so it is level and sure to remain stable. Never place it on stands that could wobble, or on inclined surfaces.

- Do not allow any objects (e.g., flammable material, coins, pins); or liquids of any kind (water, soft drinks, etc.) to penetrate the unit.

- Immediately turn the power off, and request servicing by your retailer, the nearest Roland Service Center, or an authorized Roland distributor, as listed on the "Information" page when:
 - Objects have fallen into, or liquid has been spilled onto the unit; or
 - The unit has been exposed to rain (or otherwise has become wet); or
 - The unit does not appear to operate normally or exhibits a marked change in performance.

- In households with small children, an adult should provide supervision until the child is capable of following all the rules essential for the safe operation of the unit.

 **WARNING**

- Protect the unit from strong impact.
(Do not drop it!)



 **CAUTION**

- Try to prevent cords and cables from becoming entangled. Also, all cords and cables should be placed so they are out of the reach of children.



- Never climb on top of, nor place heavy objects on the unit.



- Disconnect all cords coming from external devices before moving the unit.



- Should you remove the parts of installation, make sure to put them in a safe place out of children's reach, so there is no chance of them being swallowed accidentally.



This product complies with the requirements of European Directives EMC 89/336/EEC and LVD 73/23/EEC.

For EU Countries

CONTENTS

FEATURES

USING THE UNIT SAFELY.....	2
FEATURES.....	4
GK-2A WARRANTY	4
PANEL DESCRIPTIONS.....	5
IMPORTANT NOTES.....	7
INSTALLATION	10
INSTALLATION NOTES.....	10
1. Attaching the Pickup Controller Unit.....	12
Attaching the Divided Pickup with Holders.....	12
Attaching the Divided Pickup with Double-sided Tape/Screws.....	13
2. Attaching the Divided Pickup.....	14
Attaching the Divided Pickup with double-sided tape	14
Attaching the Divided Pickup with Screws	17
OPERATION	18
How to connect the GK-2A	18
SPECIFICATIONS.....	20

Thank you for purchasing the Roland GK-2A, a sophisticated guitar pickup and dedicated synthesizer control system.

When properly installed, the GK-2A can turn virtually any electric or acoustic guitar into a controller for Roland's GR Guitar Synthesizers.

* *Wherever [GR] is mentioned in this manual, it refers to either the Roland Guitar Synthesizer or the Roland V-Guitar System.*

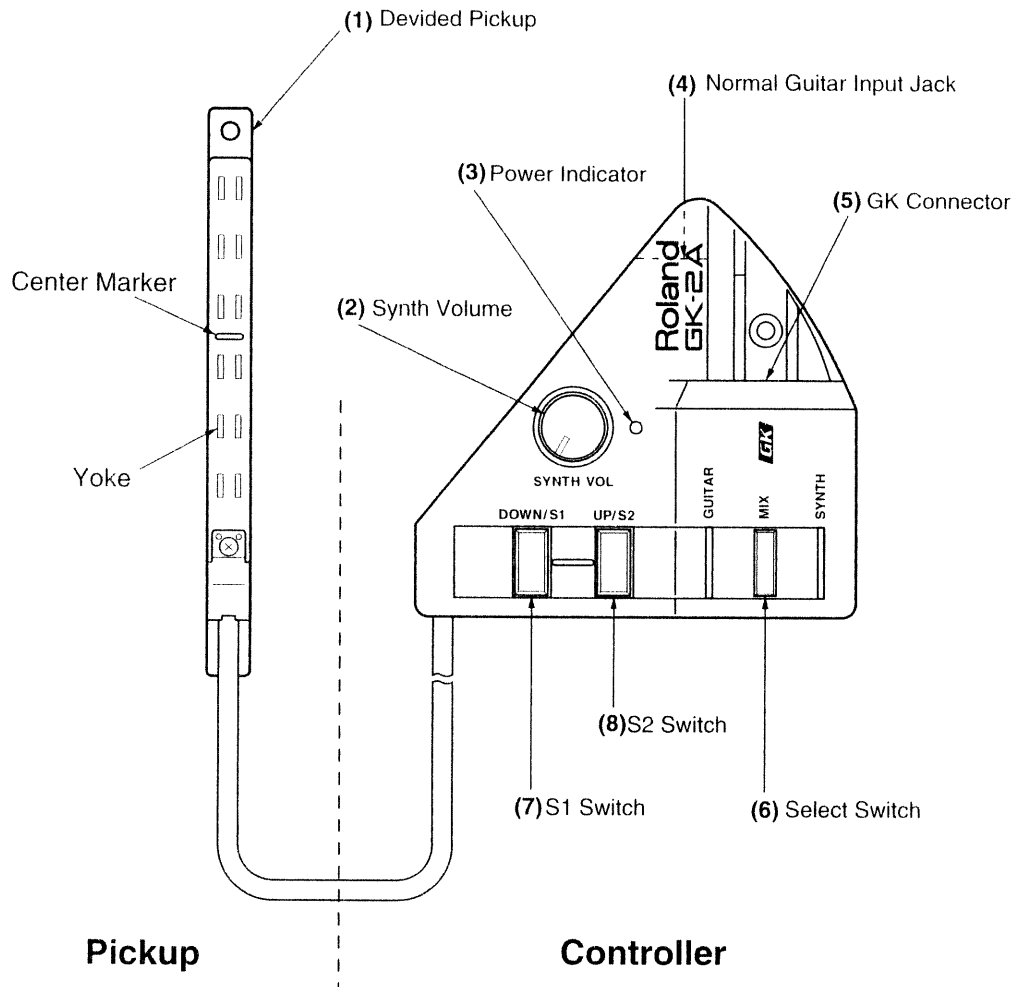
- The GK-2A system consists of a guitar-mounted Pickup and Control Unit used to drive a Roland GR Guitar Synthesizer.
- The GK-2A's compact design allows it to be installed on just about any electric or acoustic guitar.
- The GK-2A's controls give you easy access to the [GR]'s basic operating modes.

GK-2A WARRANTY

Roland guarantees the GK-2A (and all included parts) to be free of defects in materials and workmanship. Contact your retailer or nearest Roland Service Center if repairs become necessary.

Roland cannot be responsible for any damage caused to your guitar or the GK-2A as a result of your attempt to install or remove the GK-2A. If you are not confident with your ability to properly install the Pickup or Controller unit (especially where drilling is involved), please contact your Roland retailer or nearest Roland Service Center.

PANEL DESCRIPTIONS



(1) Divided Pickup

This Pickup detects the guitar's string vibrations. Carefully install the Divided Pickup between the guitar's bridge and the regular bridge pickup.

(2) SYNTH VOL (Volume) Knob

The functions provided by the SYNTH VOL knob will differ depending on the [GR] model you are using.

Please refer to the owner's manual for your [GR].

(3) Power Indicator

This indicator lights when the [GR] and GK-2A are connected using the C-13A/B cable.

(4) Normal Guitar Input Jack

Normal output signals from an electric guitar are fed into the Controller Unit via this jack. Use the supplied guitar cord.

(5) GK Connector

Connect the [GR] to this connector.

(6) Select Switch

The functions provided by the Select switches will differ depending on the [GR] model you are using.

Please refer to the owner's manual for your [GR].

(7) S1 Switch

(8) S2 Switch

The functions provided by the S1/S2 switches will differ depending on the [GR] model you are using.

Please refer to the owner's manual for your [GR].

IMPORTANT NOTES

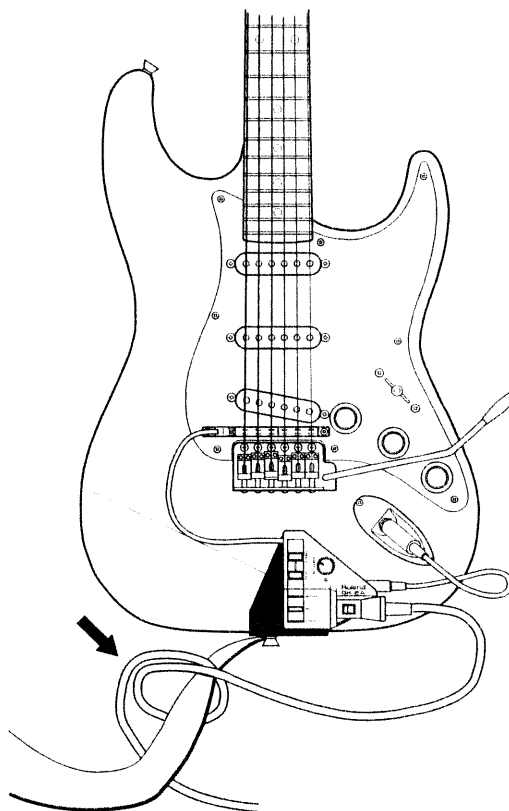
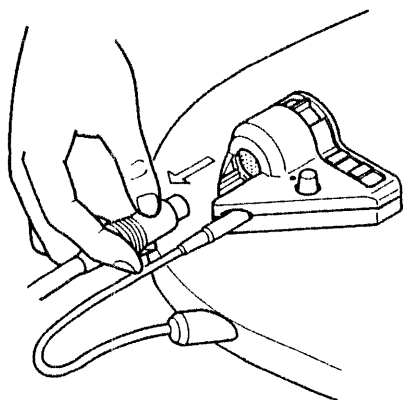
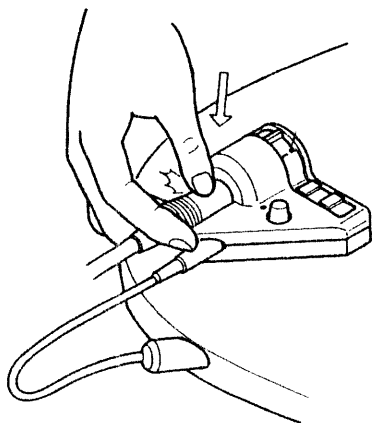
■ Sensitivity Adjustment

- To properly drive the [GR] with the GK-2A, you must adjust the height of the Divided Pickup and the sensitivity of the [GR]. These adjustments are very important if you want to take full advantage of the [GR]'s superior tracking ability. Please read the GK-2A and [GR] owner's manuals.

■ C-13A/B cable

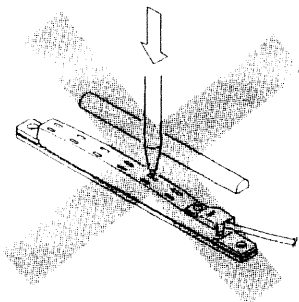
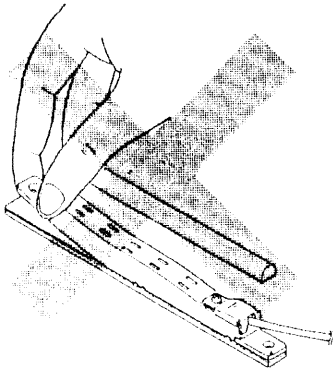
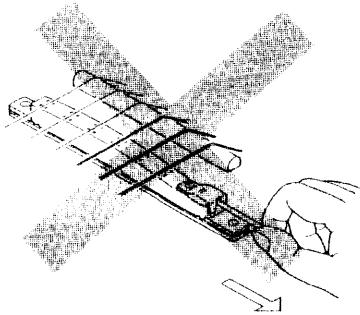
- Be sure to use the C-13A/B cable to connect the GK-2A to the [GR]. Using any other cable may cause unnecessary problems.
- The C-13A/B is a locking-type cable which cannot be disconnected unless it is unlocked.

- Before playing, be sure to wrap the cable around the guitar strap near the strap hook. This will eliminate any unnecessary strain on the cable or the GK-2A.



■ Divided Pickup

- To avoid damage, be sure there is no unnecessary strain on the cable that connects the Pickup and the Controller.
- Never bend, twist or otherwise place undue pressure on the Pickup. Be especially careful when removing it. Also, make sure no force is applied to the 'yokes.'



In addition to the items listed under “USING THE UNIT SAFELY” on page 2–3, please read and observe the following:

Power Supply

- Before connecting this unit to other devices, turn off the power to all units. This will help prevent malfunctions and/or damage to speakers or other devices.

Placement

- Using the unit near power amplifiers (or other equipment containing large power transformers) may induce hum. To alleviate the problem, change the orientation of this unit; or move it farther away from the source of interference.
- Do not expose the unit to direct sunlight, place it near devices that radiate heat, leave it inside an enclosed vehicle, or otherwise subject it to temperature extremes. Excessive heat can deform or discolor the unit.
- To avoid possible breakdown, do not use the unit in a wet area, such as an area exposed to rain or other moisture.

Maintenance

- For everyday cleaning wipe the unit with a soft, dry cloth or one that has been slightly dampened with water. To remove stubborn dirt, use a cloth impregnated with a mild, non-abrasive detergent. Afterwards, be sure to wipe the unit thoroughly with a soft, dry cloth.
- Never use benzine, thinners, alcohol or solvents of any kind, to avoid the possibility of discoloration and/or deformation.

Additional Precautions

- Use a reasonable amount of care when using the unit’s buttons, sliders, or other controls; and when using its jacks and connectors. Rough handling can lead to malfunctions.
- When connecting / disconnecting all cables, grasp the connector itself—never pull on the cable. This way you will avoid causing shorts, or damage to the cable’s internal elements.
- When you need to transport the unit, pack it in shock-absorbent material. Transporting the unit without doing so can cause it to become scratched or damaged, and could lead to malfunction.

INSTALLATION

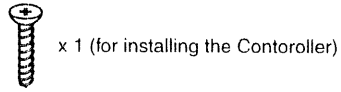
Before installing the GK-2A , read the following “INSTALLATION NOTES.”

INSTALLATION NOTES

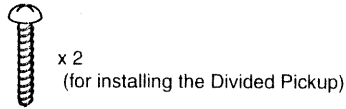
- Even when properly installed, the GK-2A will not work with 12-string guitars, guitars with unusual or customized string setups, nylon-string guitars, gut-string guitars, or bass guitars.
- If your guitar has a tremolo arm (whammy bar), attach the arm before setting up the GK-2A.
- Before removing the tremolo arm from your guitar, set the Select Switch on the GK-2A to the “GUITAR” or “SYNTH” position.
- Adjust the neck (truss rod) and the height of the strings if necessary before installing the GK-2A.
- Try placing the Divided Pickup and the Controller Unit on the guitar to see if they are compatible before actually attaching them. First use the double-sided tape to ensure that there is no problem with installation, then secure the Controller with the screw provided.
- Double-sided tape or Velcro fasteners are unreliable for secure, long-term installation. Also, if the finish on your guitar is less than perfect, you may discover that the finish is also removed when you later remove the tape. The supplied adhesive tape is intended to be used only very temporarily, to help you determine the optimum position for the pickup. The Velcro fastener is meant for those who intend to frequently remove and reattach the GK-2A.
- If there is no room for the Divided Pickup between the guitar’s bridge pickup and the bridge itself, you would be better off modifying your guitar. (If possible, move a bridge pickup closer to the neck to make room for the Divided Pickup.)

Check that you have all of the supplied parts:

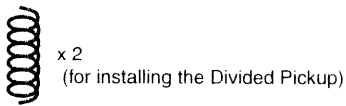
Tapping Flat A13 x 16 mm



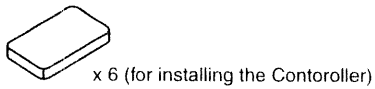
Tapping Pan A13 x 20 mm



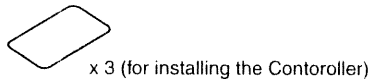
Spring



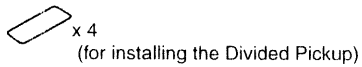
LP spacer



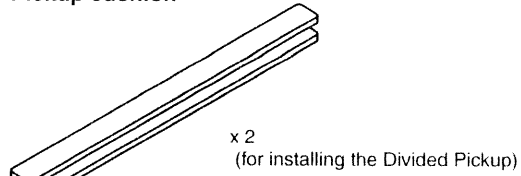
Double-sided tape A



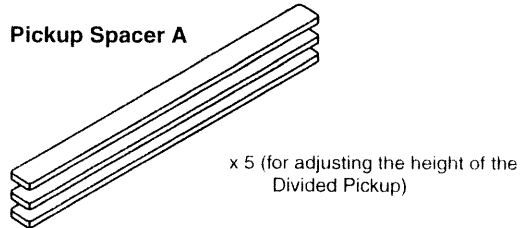
Double-sided tape B



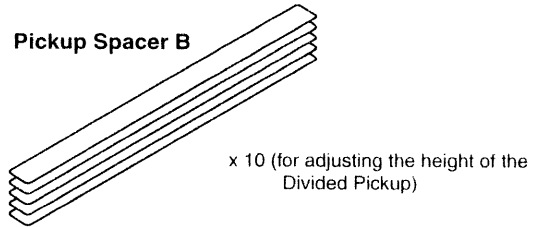
Pickup cushion



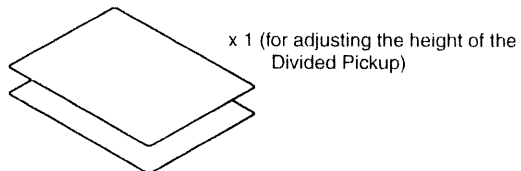
Pickup Spacer A



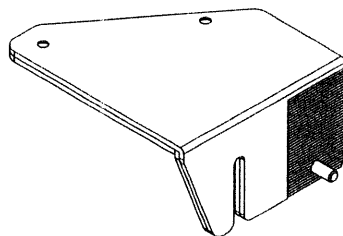
Pickup Spacer B



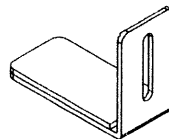
Velcro fastener



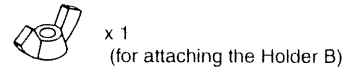
Holder A



Holder B



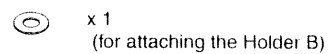
Wing Nut



Spring Washer



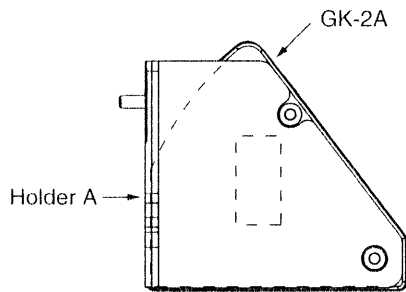
Washer



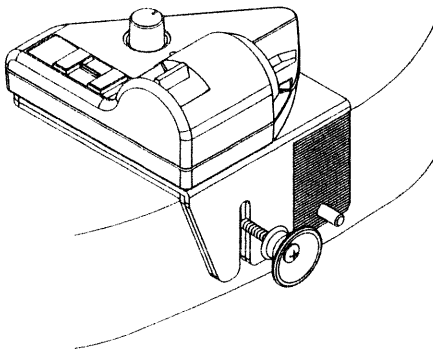
1. Attaching the Pickup Controller Unit

■ Attaching the Pickup Controller Unit with Holders

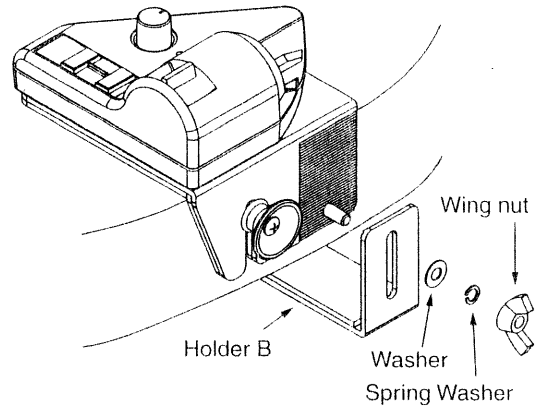
1. Remove two screws from the controller, then attach those screws to Holder "A."



2. Loosen the guitar end pin, and insert the Holder "A."



3. Attach the Holder "B."

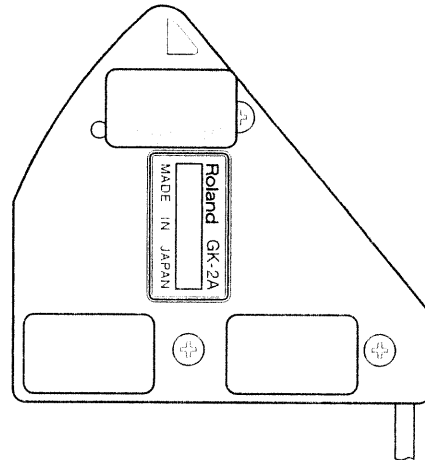


4. Tighten the Holder "A" and "B" with Wing Nut, Spring Washer, Washer.

■ Attaching the Pickup Controller Unit with Double-sided Tape/Screws

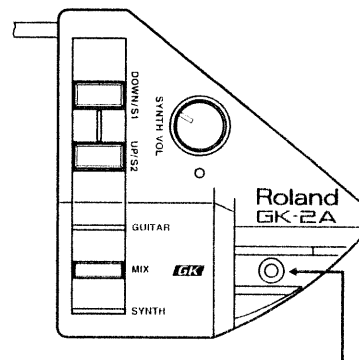
1. Place the Controller in an appropriate position on the guitar.

- * Place the Controller where it does not interfere with your normal playing technique.
- * Be sure that the positioning of the Controller Unit does not limit access to any of the guitar's other controls or adjustments (a fine tuning control, for example).
- * Position the Controller so you can comfortably operate the S1 and S2 switches.
- * Be sure also that the positioning of the Controller Unit will not place undue strain on any of the connecting cables; Divided Pickup to Controller, guitar to Controller, or Controller to [GR].
- * Make sure that the plugs of the GK-2A's connection cables are well within the body of the guitar. This will help prevent damage to cables and connectors should the guitar bump against something.



2. Use the GK-2A as a template to mark the anchor point on the guitar. Then very carefully drill a hole into the guitar on the mark.

- * The diameter of the hole should be about 2 mm (0.08 inches).



Put the screw (flat-head) through this hole.

3. After attaching the double-sided tapes to the bottom of the Controller, secure the GK-2A with the supplied screw (flat-head, self-tapping).

- * If your guitar is an arch-top (with a round body), the gap between the Controller and the guitar may make it difficult to secure the Controller. If this happens, attach the supplied LP spacers to the bottom of the Controller. The double-sided tapes and LP spacers should be attached to the three positions indicated as follows:

- * If you'd rather not drill a hole in your guitar, you can secure the Controller using double-sided tape or the Velcro fastener. However, by using such alternatives you risk having the device come loose during the worst possible moment (ie., a major solo!).

Also, if the finish on your guitar is less than perfect, you may discover that the finish is also removed when you eventually remove the tape. The supplied tape is actually meant to be used only temporarily, while determining the best position to attach the Controller. The Velcro fastener is meant for those who intend to very frequently remove and reattach the GK-2A.

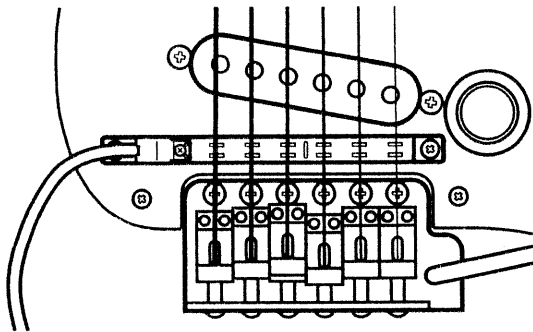
2. Attaching the Divided Pickup

The Divided Pickup can be attached to your guitar using double-sided tape or screws. Attaching the Divided Pickup with screws requires a little more skill (and care), but it will allow you to easily adjust the height of the Divided Pickup later.

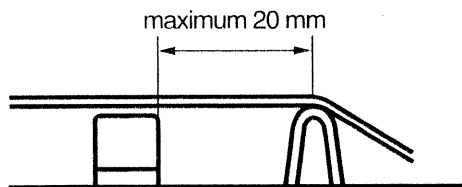
■ Attaching the Divided Pickup with double-sided tape

1. Place the Pickup as close to the bridge as possible, and center it with respect to the six strings.

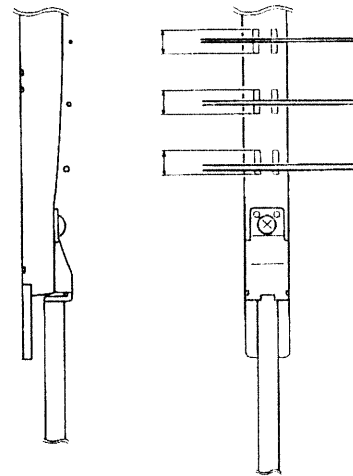
(One set of 'yokes' (the actual sensors) should be directly under each string if possible.)



- * if your guitar has a tremolo arm (whammy bar), be sure the Pickup does not interfere with its operation.
- * When using copper, brass or bronze wound strings, attach the Pickup about 15 mm (9/16") from the bridge.
- * Do not locate the Divided Pickup more than 20 mm (13/16") from the bridge.



- * When viewed from the front, the strings do not necessarily need to be aligned perfectly with the center of the yokes. It's all right as long as a string passes over some portion of its yoke.



Front View

Top View

Carefully mark the position of the Pickup. (Depending on the finish of your guitar you may need to use felt-tipped pen or maybe even small pieces of masking tape, for example.)

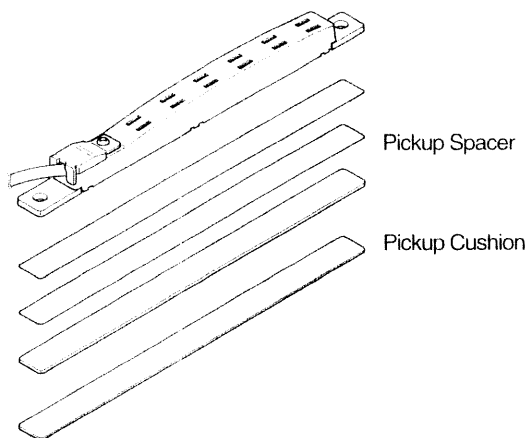
- * Be sure the Divided Pickup is correctly oriented: the cord from the Pickup should emerge from under the sixth string.

2. Be sure the neck (truss rod) and string height are set properly. Then tune each string.

3. Adjust the height of the Pickup by putting the supplied spacers under it (do not remove the backing from the tape yet!).

Use either of the pickup spacers (thick or thin) depending on the height of the Pickup. When using an arch-top guitar, put the Pickup cushion under the pickup spacers.

* When you attach the pickup to a guitar with curved surface, use two pickup cushions.



* The pickup spacers and the pickup cushion are attached to the guitar with double-sided tape which will become thinner by 0.1 mm (0.004") when the backing is removed. Therefore, when using several pickup spacers, you must set the height slightly higher to compensate.

The optimum position of the Pickup is where the distances between the Pickup and the strings is about 1.0 mm (0.04") when the highest notes on the neck are fingered.

Check the height using the supplied clearance gauge. Adjust the height as necessary.

* If the height varies between the first and sixth strings, compensate by adding the appropriate half-width or one-third width spacers.

4. Remove the strings from your guitar.

5. Remove the backing from the tapes for the pickup cushion (if being used), the pickup spacers, and the Pickup, and carefully attach them to the bottom of the Pickup. Then carefully attach the Pickup to the guitar

6. Put the strings back on the guitar and tune them. Then carefully check the height of the Pickup with the clearance gauge.

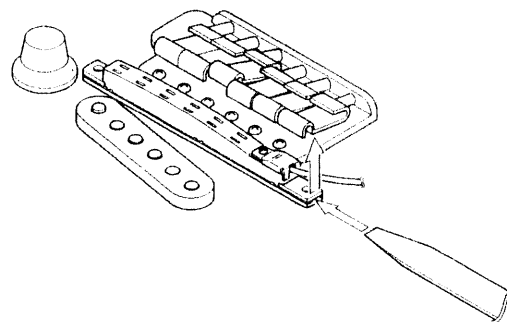
Play the guitar (especially in the upper range) to be sure the strings do not touch the Pickup.

7. If the Divided Pickup is too high or too low...

- (1) Remove the strings from the guitar.
- (2) Very carefully remove the Pickup from the guitar.

* Please handle the Pickup gently. Because of its size and shape, the Pickup is very fragile. Bending or twisting it may cause it to damage the coil elements.

Carefully insert something thin and flat (like a table knife) under the Pickup from the sixth string side. Gently pry upwards.



INSTALLATION

- (3) Carefully remove the double-sided tape from the bottom of the Pickup as shown:



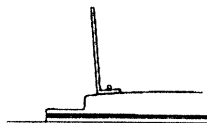
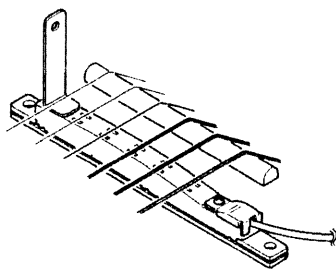
- (4) Adjust the height of the Pickup.
If you wish to add a spacer, first remove the used double-sided tape, then add the new spacer. Remove the backing from the new spacer.
If you need to remove a spacer, be sure to remove the spacers itself and the double-sided tape.
- (5) Attach the double-sided tape to the bottom of the Pickup.
- (6) Attach the Pickup to the upper side of the spacer that is applied to the guitar side.
- (7) Put the strings back on the guitar and tune them properly. Again check the height of the Divided Pickup.

* Afterwards, you will need to adjust the Pickup sensitivity on the [GR]. If the signal level from the Divided Pickup is too high, lower the Pickup slightly.

HOW TO USE THE CLEARANCE GAUGE

The optimum distance between the Pickup and each string is about 1.0 mm when the highest notes on the neck are fingered.

The supplied clearance gauge is 1.0 mm (0.04") thick. As shown below, insert the clearance gauge between the Pickup and the strings. Adjust the Pickup height as necessary.



■ Attaching the Divided Pickup with Screws

You can also use screws to secure the Divided Pickup. Marking the position of the Pickup and checking the height is exactly the same as in "a. Attaching the Divided Pickup with double-sided tape". Refer to that section before proceeding.

* *When attaching the Divided Pickup with screws, you need a 13 mm space between the body of the guitar and the strings.*

1. Place the Divided Pickup in the appropriate position. Carefully mark the location of the screw holes (at either end of the Pickup) on the guitar.

2. Remove the strings from the guitar.

3. Very carefully drill holes at the marked locations.

* *The holes should be about 2 mm (0.08") in diameter and approximately 2 to 3 mm deep.*

* *If the guitar is made of a hard wood (maple, rock maple, cherry, rosewood, etc.), make the holes slightly larger than 2 mm.*

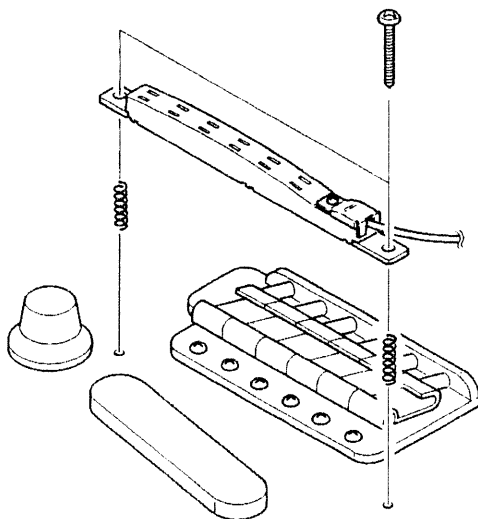
4. Place the supplied springs on the screws between the bottom of the Pickup and the guitar. Then tighten the screws:

5. Put the strings back on the guitar and tune them properly.

6. Adjust the height of the Pickup.

Adjust the height of the Pickup by loosening or tightening the screws. Use the clearance gauge to set the proper Pickup height.

* *Afterwards, you will need to adjust the Pickup sensitivity on the [GR]. If the signal level from the Divided Pickup is too high, lower the Pickup slightly.*



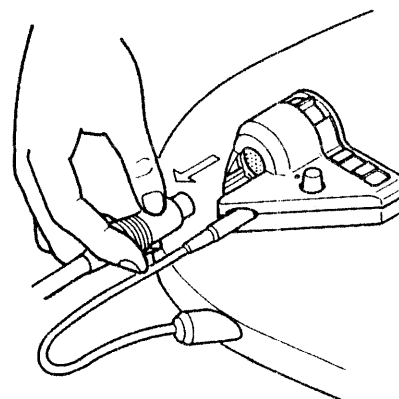
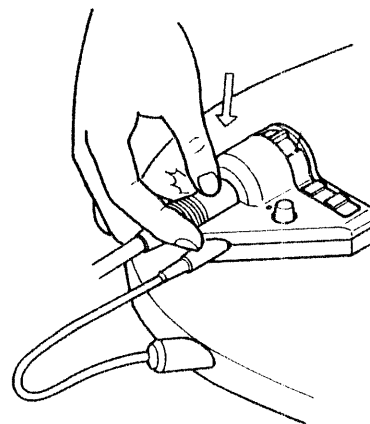
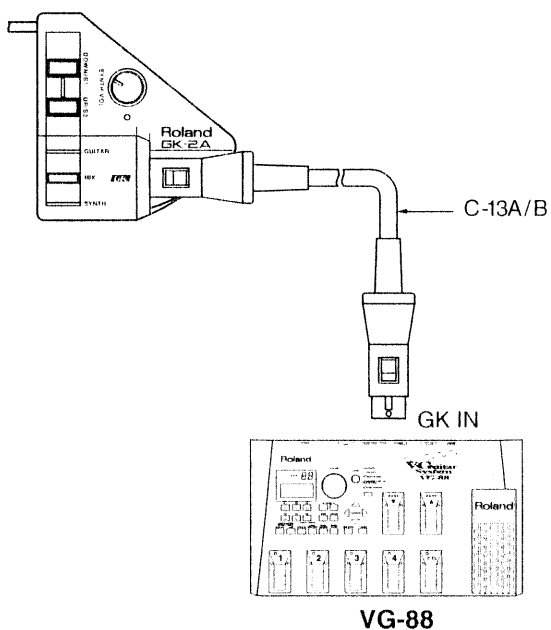
OPERATION

How to Connect the GK-2A

- * To prevent malfunction and/or damage to speakers or other devices, always turn down the volume, and turn off the power on all devices before making any connections.
- * Once the connections have been completed, turn on power to your various devices in the order specified. By turning on devices in the wrong order, you risk causing malfunction and/or damage to speakers and other devices.

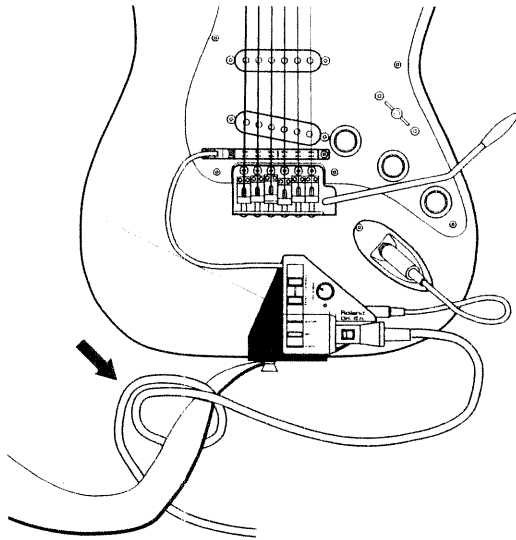
1. Make sure that the [GR] is switched off. Then connect the [GR] to the GK-2A using the C-13A/B cable.

* The C-13A/B is a locking cable that cannot be disconnected unless it is first unlocked.

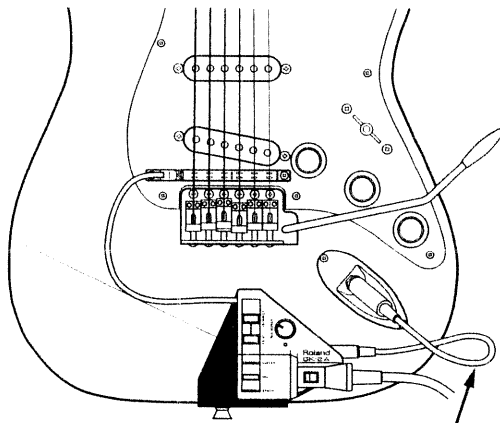


- * Connect the GK-2 socket on the [GR] to that on the GK-2A.
- * Use only a C-13A/B cable. Use of any other cable could result in damage or malfunction.

* Before playing, be sure to wrap the cable around the guitar strap near the strap hook. This will eliminate any unnecessary strain on the cable or the GK-2A.



2. Connect the large plug of the supplied (short) guitar cord to the output jack on the guitar, and the smaller plug to the Normal Guitar Input Jack on the Controller.



Cord the Normal Guitar

* This connection is necessary not only for mixing the guitar's straight sound with the synthesizer sound, but also for connecting the guitar's ground and the GK-2A's ground. Always make this connection whether you need the guitar's straight sound or not.

3. Turn on the [GR].

The Power indicator on the Controller will light and you're ready to go.

* The Power Indicator will not light unless...

- (1) the GK-2A is connected to the [GR] using the C-13A/B and
- (2) the [GR] is switched on.

SPECIFICATIONS

GK-2A: Divided Pickup

SYNTH VOL Control x 1
 DOWN/S1 Switch x 1
 UP/S2 Switch x 1
 Select Switch x 1
 GK-2 Connector (13 pin type)
 Normal Guitar Input Jack
 Power Indicator
 Divided Pickup

Weight:

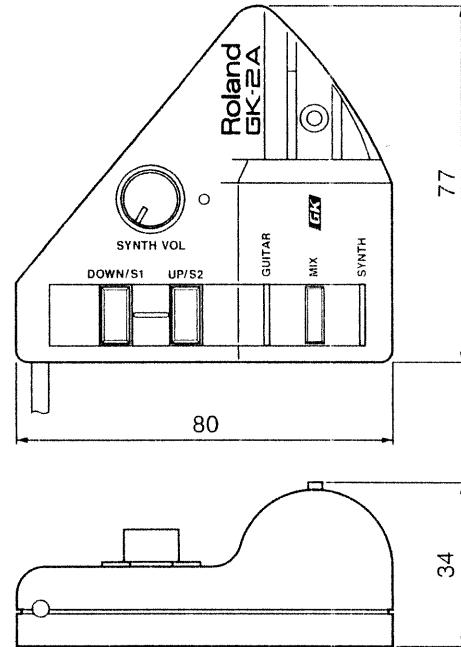
70g

Accessories:

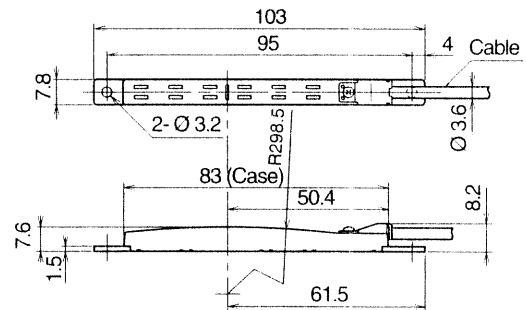
Standard Guitar Cable x 1
 Parts for installation
 Clearance gauge
 Owner's Manual

** In the interest of products development, the specifications and/or appearance of this unit are subject to change without prior notice.*

Dimensions:



Unit : mm



Unit : mm

Information

When you need repair service, call your nearest Roland Service Center or authorized Roland distributor in your country as shown below.

AFRICA

EGYPT

Al Fanny Trading Office
P.O. Box 2904,
El Horreby Helopolos, Cairo,
EGYPT
TEL: (02) 4185531

REUNION

Maison FO - YAM Marcel
25 Rue Jules MermanZL
Chaudron - BP79 97491
Ste. Clotilde REUNION
TEL: 28 29 16

SOUTH AFRICA

That Other Music Shop
(PTY) Ltd.
11 Melle Street (Car Melle and
Juta Street)
Braamfontein 2001
Republic of SOUTH AFRICA
TEL: (011) 403 4105

Paul Bothner (PTY) Ltd.
17 Werdmuller Centre Claremont
7700
Republic of SOUTH AFRICA

P.O. Box 23032
Claremont, Cape Town
SOUTH AFRICA, 7735
TEL: (021) 64 4030

ASIA

CHINA

Beijing Xinghai Musical
Instruments Co., Ltd.
6 Huangmichang Chao Yang
District Beijing, CHINA
TEL: (010) 6774 7491

HONG KONG

Tom Lee Music Co., Ltd.
Service Division
22-32 Pun Shan Street, Tsuen
Wan, New Territories,
HONG KONG
TEL: 2415 0911

INDIA

Rivera Digitec (India) Pvt. Ltd.
409, Nirman Kendra Mahalaxmi
Flats Compound Off. Dr. J. Dwin
Moses Road, Mumbai-400011,
INDIA
TEL: (022) 498 3079

INDONESIA

PT Citra Inti Rama
Jl. Cideng Timur No. 15/150
Jakarta Pusat
INDONESIA
TEL: (021) 6324170

KOREA

Cosmos Corporation
Service Station
261 2nd Floor Nak-Won Arcade
Jong-Ro Ku, Seoul, KOREA
TEL: (02) 742 8844

MALAYSIA

Bentley Music SDN BHD
140 & 142, Jalan Bukit Bintang
55100 Kuala Lumpur, MALAYSIA
TEL: (03) 2443333

PHILIPPINES

G.A. Yupangco & Co. Inc.
339 Gil J. Puyat Avenue
Makati, Metro Manila 1200,
PHILIPPINES
TEL: (02) 899 9801

SINGAPORE

Swee Lee Company
150 Sims Drive,
SINGAPORE 367381
TEL: 748-1669

CRISTOFORI MUSIC PTE LTD

BLK 3014, Bedok Industrial Park E,
#02 2148 SINGAPORE 489980
TEL: 243 9555

TAIWAN

ROLAND TAIWAN
ENTERPRISE CO., LTD.
Room 5, 9th. No. 112 Chung Shan
N. Road Sec. 2, Taipei, TAIWAN,
R.O.C.
TEL: (02) 2561 3339

THAILAND

Theera Music Co., Ltd.
330 Veeng NakornKasem, Soi 2,
Bangkok 10100, THAILAND
TEL: (02) 2248821

VIETNAM

Saigon Music
138 Tran Quang Khai St.,
District 1
Ho Chi Minh City
VIETNAM
TEL: (08) 844 4068

AUSTRALIA/ NEW ZEALAND

AUSTRALIA

Roland Corporation
Australia Pty., Ltd.
38 Campbell Avenue
Dee Why West, NSW 2099
AUSTRALIA
TEL: (02) 9982 8266

NEW ZEALAND

Roland Corporation (NZ) Ltd.
97 Mt. Eden Road, Mt. Eden,
Auckland 3, NEW ZEALAND
TEL: (09) 3098 715

CENTRAL/LATIN AMERICA

ARGENTINA

Instrumentos Musicales S.A.
Florida 656 2nd Floor
Office Number 206A
Buenos Aires
ARGENTINA, CP1005
TEL: (54-11) 4-393-6057

BRAZIL

Roland Brasil Ltda.
R. Coronel Octaviano da Silveira
203 05522-010
Sao Paulo BRAZIL
TEL: (011) 3743 9377

CHILE

Comercial Fancy S.A.
Avenida Rancagua #0330
Providencia Santiago, CHILE
TEL: 56 2-373-9100

EL SALVADOR

OMNI MUSIC
75 Avenida Notre y Alameda
Juan Pablo 2 No. 4010
San Salvador, EL SALVADOR
TEL: (503) 262-0788

MEXICO

Casa Veerkamp, s.a. de c.v.
Av. Toluca No. 323 Col. Olivar de
los Padres 01780 Mexico D.F.
MEXICO
TEL: (525) 668 04 80

La Casa Wagner de
Guadalajara s.a. de c.v.
Av. Corona No. 202 S.L.
Guadalajara, Jalisco Mexico
C.P. 44100 MEXICO
TEL: (3) 613 1414

PANAMA

Productos Superiores, S.A.
Apartado 655 - Panama 1
REP. DE PANAMA
TEL: (507) 270-2200

URUGUAY

Todo Musica
Cuareim 1488, Montevideo,
URUGUAY
TEL: 5982-924-2335

VENEZUELA

Musiland Digital C.A.
Av. Francisco de Miranda,
Centro Parque de Cristal, Nivel
C2 Local 20 Caracas
VENEZUELA
TEL: (02) 285 9218

EUROPE

AUSTRIA

Roland Austria GES.M.B.H.
Siemensstrasse 4, P.O. Box 74,
A-6063 RUM, AUSTRIA
TEL: (0512) 26 44 260

BELGIUM/HOLLAND/ LUXEMBOURG

Roland Benelux N. V.
Houtstraat 3 B-2260 Oevel
(Westerlo) BELGIUM
TEL: (014) 575811

DENMARK

Roland Scandinavia A/S
Nordhavnsvej 7, Postbox 880
DK-2100 Copenhagen
DENMARK
TEL: (039)16 6200

FRANCE

Roland France SA
4, Rue Paul Henri SPAAK
Parc de l'Esplanade F 77 462 St
Thibault Lagny Cedex FRANCE
TEL: 01 600 73 500

FINLAND

Roland Scandinavia As,
Filial Finland
Lauttasaarentie 54 B
Fin-00201 Helsinki, FINLAND
TEL: (9) 682 4020

GERMANY

Roland Elektronische
Musikinstrumente
Handelsgesellschaft mbH.
Oststrasse 96, 22844 Norderstedt,
GERMANY
TEL: (040) 52 60090

GREECE

STOLLAS S.A.
Music Sound Light
155, New National Road
26422 Patras, GREECE
TEL: 061-435400

HUNGARY

Intermusica Ltd.
Warehouse Area 'DEPO' P/83
H-2046 Torokbalint, HUNGARY
TEL: (23) 511011

IRELAND

Roland Ireland
Audio House, Belmont Court,
Donnybrook, Dublin 4
Republic of IRELAND
TEL: (01) 2603501

ITALY

Roland Italy S. p. A.
Viale delle Industrie, 8
20020 Arese Milano, ITALY
TEL: (02) 937-78300

NORWAY

Roland Scandinavia Avd.
Kontor Norge
Lilleakerveien 2 Postboks 95
Lilleaker N-0216 Oslo
NORWAY
TEL: 273 0074

POLAND

P. P. H. Brzostowicz
Ul. Gibraltarska 4
PL-03684 Warszawa POLAND
TEL: (022) 679 44 19

PORTUGAL

Tecnologias Musica e Audio,
Roland Portugal, S.A.
RUA SANTA CATARINA
131 - 4000 Porto PORTUGAL
TEL: (02) 208 44 56

ROMANIA

FBS LINES
Plata Libertatii 1
RO-4200 Cheorgheni
TEL: (066) 164-609

RUSSIA

Slami Music Company
Sadovaya-Triumfalnaya St., 10
103006 Moscow, RUSSIA
TEL: 095 209 2193

SPAIN

Roland Electronics
de España, S. A.
Calle Bolivia 239 08020 Barcelona,
SPAIN
TEL: (93) 308 1000

SWEDEN

Roland Scandinavia A/S
SWEDISH SALES OFFICE
Danvik Center 28, 2 tr.
S-131 30 Nacka SWEDEN
TEL: (08) 702 0020

SWITZERLAND

Roland (Switzerland) AG
Musitronic AG
Gerberstrasse 5, CH-4410 Liestal,
SWITZERLAND
TEL: (061) 921 1615

UKRAINE

TIC-TAC
Mira Str. 19/108
P.O. Box 180
295400 Munkachevo, UKRAINE
TEL: (03131) 414-40

UNITED KINGDOM

Roland (U.K.) Ltd.
Atlantic Close, Swansea
Enterprise Park SWANSEA
SA7 9FL,
UNITED KINGDOM
TEL: (01792) 700139

MIDDLE EAST

BAHRAIN

Moon Stores
Bab Al Bahrain Road,
P.O. Box 20077
State of BAHRAIN
TEL: 211 005

CYPRUS

Radex Sound Equipment Ltd.
17 Diagorou St, P.O. Box 2046,
Nicosia CYPRUS
TEL: (02) 453 426

ISRAEL

Halilit P. Greenspoon &
Sons Ltd.
8 Retzif Fa'aliya Hashmya St.
Tel Aviv-Yahou ISRAEL
TEL: (03) 6823000

JORDAN

AMMAN Trading Agency
Prince Mohammed St. P.O. Box
825 Amman 11118 JORDAN
TEL: (06) 4641200

KUWAIT

Easa Husain Al-Yousifi
P.O. Box 126 Safat 13002
KUWAIT
TEL: 5719499

LEBANON

A. Chahine & Fils
P.O. Box 16-5857 Gergi Zeidan St
Chahine Building, Achrafieh
Beirut, LEBANON
TEL: (01) 335799

OMAN

OHI Electronics & Trading
Co. LLC
P.O. Box 889 Muscat
Sultanate of OMAN
TEL: 959085

QATAR

Badie Studio & Stores
P.O. Box 62,
DOHA QATAR
TEL: 423554

SAUDI ARABIA

aDawlah Universal
Electronics APJ.
P.O. Box 2154 Al KHOBAR 31952,
SAUDI ARABIA
TEL: (03) 898 2081

SYRIA

Technical Light & Sound
Center
Khaled Ibn Al Walid St.
P.O. Box 13520
Damascus - SYRIA
TEL: (011) 2235 384

TURKEY

Barkat Muzik aletleri ithalat
ve ihracat limited ireketi
Sirasevler Cad. Billurcu Sok.
Mucaddele Cikmeze No. 11-13
Taksim- Istanbul, TURKEY
TEL: (0212) 2499324

U.A.E.

Zak Electronics & Musical
Instruments Co.
Zabed Road, Al Sherooq Bldg.,
No. 14, Grand Floor DUBAI
U.A.E.
P.O. Box 8050 DUBAI, U.A.E.
TEL: (04) 360715

NORTH AMERICA

CANADA

Roland Canada Music Ltd.
(Head Office)
5480 Parkwood Way Richmond
B.C., V6V 2M4 CANADA
TEL: (0604) 270 6626

Roland Canada Music Ltd.
(Toronto Office)

Unit 2, 109 Woodbine Downs
Blvd, Etobicoke, ON
M9W 6Y1 CANADA
TEL: (0416) 213 9707

U. S. A.

Roland Corporation U.S.
5100 S. Eastern Avenue
Los Angeles, CA 90040-2938,
U. S. A.
TEL: (323) 890 3700

 Roland®

70342245

UPC 70342245



10901

 Roland®