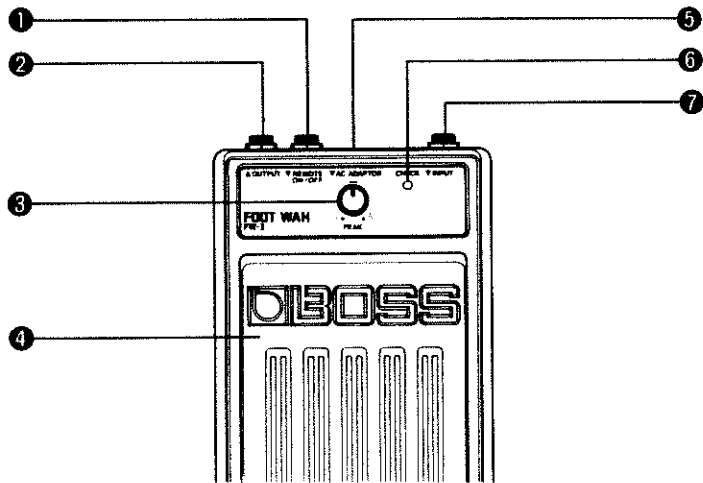


■ PANEL DESCRIPTION



④ Pedal

Using the pedal, you can vary the center frequency of the filter creating the wah effect. Also, by fully depressing the pedal, you can turn the effect on or off.

*** With an optional foot switch connected to the Remote On/Off Jack, you cannot turn the effect on or off with FW-3's pedal.**

⑤ AC Adaptor Jack

Connect an AC adaptor (BOSS PSA-120, 220 or 240) to this jack.

*** An AC adaptor provides a stable, dependable supply of power.**

*** Be sure to use a BOSS PSA-120, 220 or 240, depending on the voltage system in your country. Using any other type of AC adaptor may cause malfunctions.**

① Remote On/Off Jack

By connecting a foot switch (FS-5U: optional) to this jack, you can turn the wah effect on and off.

You can check the on/off status of the effect with the Check Indicator ⑥.

② Output Jack

Connect an amplifier or other effect unit to this jack.

③ PEAK Control Knob

This knob adjusts the peak level of the filter that creates the wah effect. Rotating the knob counterclockwise decreases the peak level, making the sound softer. Clockwise rotation increases the level, making the wah effect deeper.

*** A usual type of wah effect can be created by setting the PEAK Control Knob at any marked position.**

⑥ Check Indicator

This LED lights when the effect is turned on.

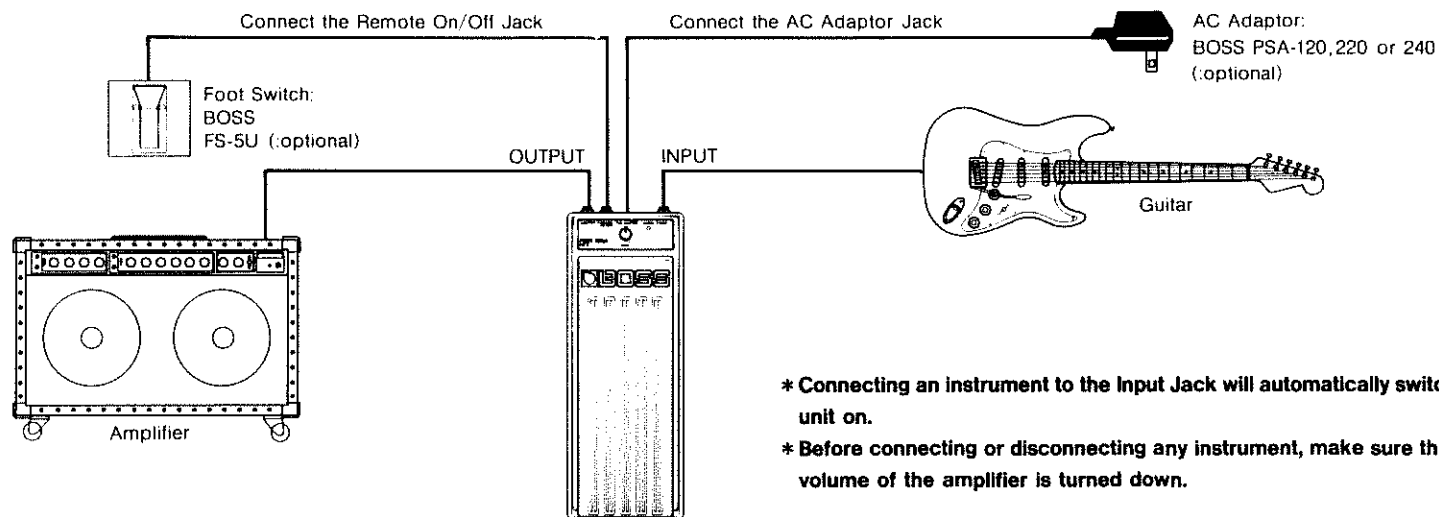
*** The Check indicator also serves as a battery check. When the LED becomes dim, replace the battery.**

⑦ Input Jack

Connect an electric/electronic musical instrument (such as a guitar) to this jack.

*** Connecting a plug to this jack will automatically switch the unit on. Be sure to disconnect the plug from this jack when the unit is not being used.**

■ CONNECTIONS



* Connecting an instrument to the Input Jack will automatically switch the unit on.

* Before connecting or disconnecting any instrument, make sure that the volume of the amplifier is turned down.

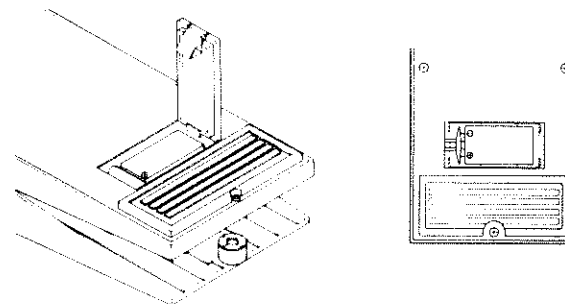
■ OPERATION

- ① Connect a guitar, FW-3 and amplifier.
- ② Fully depress the pedal to turn the effect on. (The Effect On/Off indicator will light.)
*** Depressing the pedal again will turn the effect off.**
*** By connecting a foot switch (FS-5U: optional) to Remote On/Off jack, you can turn the wah effect on and off.**
- ③ Adjust the PEAK Control Knob. The PEAK Control Knob changes the peak level of the filter that creates the wah effect.
Counterclockwise rotation (↶) decreases the peak level, creating a softer sound.
Clockwise rotation (↷) increases the peak level, creating a deeper wah effect.

■ BATTERY REPLACEMENT

- ① Remove the battery cover from the rear of the unit.
- ② Replace the exhausted battery with a new one.
- ③ Insert the battery into the battery case as shown in the diagram.
- ④ Replace the battery cover.

Use one 9 volt battery (006P/9V×1).



■ IMPORTANT NOTES

- Do not subject the unit to temperature extremes (eg. direct sunlight in an enclosed vehicle). Avoid using or storing the unit in dusty or humid areas or areas that are subject to high vibration levels.
- Remove the battery whenever the unit is not going to be used for an extended period of time.
- When operating solely on a battery, the unit's indicator becomes dim when the battery is depleted. Replace the battery immediately.
- If there is battery in the unit while an AC adaptor is being used, normal operation will continue should the line voltage be interrupted (power blackout) or the power cord become disconnected.
- For everyday cleaning wipe the unit with a soft, dry cloth (or one that has been slightly dampened with water). To remove stubborn dirt, use a mild neutral detergent. Afterwards, be sure to wipe the unit thoroughly with a soft, dry cloth.
- Never use benzene, thinners, alcohol or solvents of any kind, to avoid the risk of discoloration and/or deformation.
- Protect the unit from strong impact.
- Do not allow objects or liquids of any kind to penetrate the unit. In the event of such an occurrence, discontinue use immediately. Contact qualified service personnel as soon as possible.
- Should a malfunction occur (or if you suspect there is a problem) discontinue use immediately. Contact qualified service personnel as soon as possible.

■ SPECIFICATIONS

Pedal × 1
PEAK Control Knob × 1
Check Indicator × 1 (Effect On/Off and Battery Check)
Input Jack × 1
Output Jack × 1
Remote On/Off Jack × 1
AC Adaptor Jack × 1
Input Impedance : 1MΩ (Effect Off)
Output Impedance : 1kΩ
Recommended Load Impedance : 10kΩ or greater
Residual Noise Level : -90dBm or less (IHF-A)
Current Draw : 5mA
Dimensions : 111(W) × 291(D) × 69(H) mm
/ 4-3/8" (W) × 11-1/2" (D) × 2-3/4" (H)
Weight : 1.1 kg : 2 lb. 7 oz.

*Specifications and appearance are subject to change without prior notice.

 **Roland**[®]

26047753RT

UPC 26047753RT



1098:


BOSS
Products of Roland
Printed in Taiwan '91-10-D3-1Y