

# Assembling the DP-900



Make sure that another person is on hand to help with the assembly and setup.

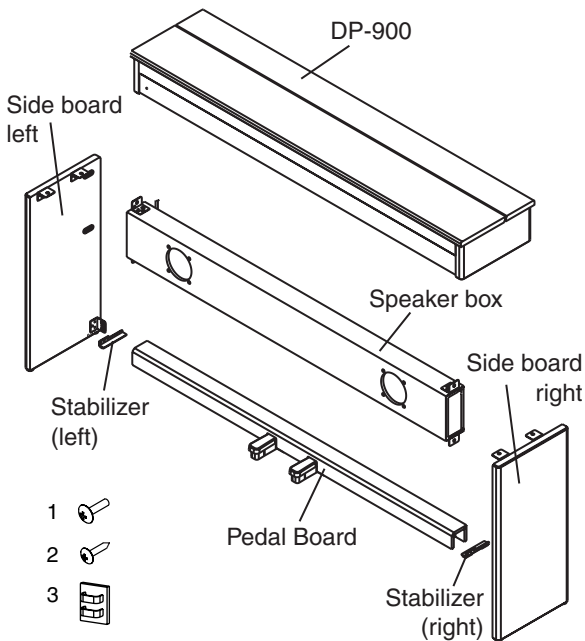
To move the piano, lift it carefully-all the while keeping it level. Be very careful, when you assemble and move the piano, to make sure that you do not drop it on your hands or feet.

Should you remove screws, cord clamps, or stabilizer, make sure to put them in a safe place out of children's reach, so there is no chance of them being swallowed accidentally.

## Check the Parts

Before you begin assembling the DP-900, check that all the parts were supplied.

You will also need to have a Phillips screwdriver.

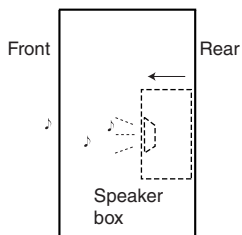


- 1: Attachment screw (M5 x 20mm) x10
- 2: Stabilizer screw (M4 x 16mm) x6
- 3: Cord clamp x3

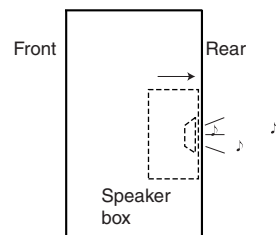
### MEMO

The speaker box can also be installed so that it faces toward the rear instead of toward the front. Having the speaker box face out the rear of the instrument allows the speakers to be directed toward listeners when the back of the instrument faces the audience.

#### Normal direction



#### When facing to the rear



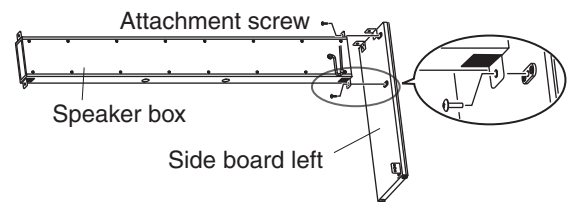
## Assembly Procedure

- At first, assemble the entire unit in a temporary fashion, without really tightening the screws. Then, after checking the overall alignment of the boards (and gently shifting certain parts where necessary), go around and tightly fasten each of the screws.
- Be careful when assembling the DP-900, so as to avoid scratching the side boards.

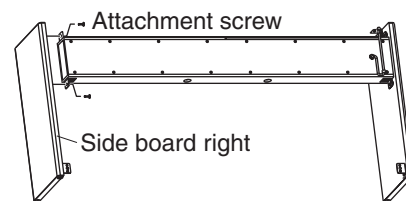
When securing the screws, lay the entire unit sideways with the rear side of the DP-900 at the bottom.

### 1. Secure the left side board to the speaker box with the screws (in two places).

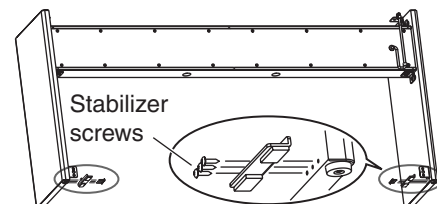
Attach so that the speaker cable at the rear of the speaker box is directed to the right.



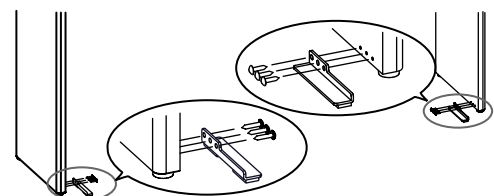
### 2. Secure the right side board to the speaker box with the screws (in two places).



### 3. Set the stabilizer in the holes in the side boards (in six places).

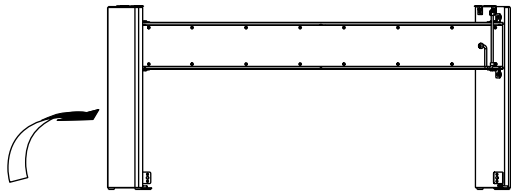


Take care not to attach the left and right stabilizer to the wrong sides.



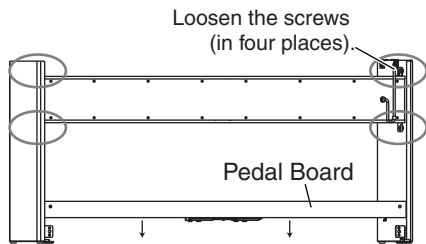
#### 4. Raise the entire assembly.

When standing the assembled unit up, grasp near the speaker box and center part of the DP-900, and gently raise the assembly.



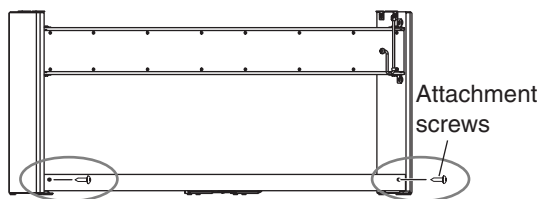
#### 5. Put the Pedal Board on the stabilizer.

When putting the Pedal Board on the stabilizer, first loosen the screws securing the speaker box to the side boards.



#### 6. Secure the Pedal Board to the side boards with the attachment screws (in two places).

Retighten the screws loosened in Step 5.



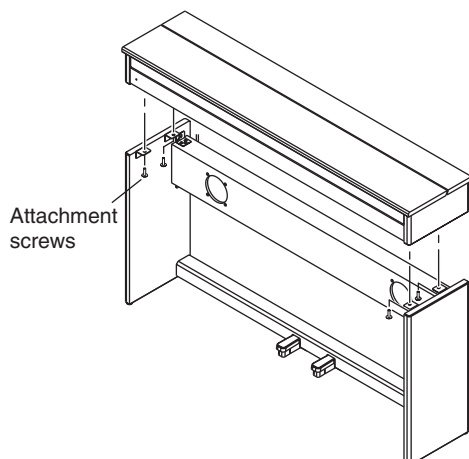
### To stabilize the pedals

Temporarily loosen the screws that fasten the pedal board. Step on the pedal, and after verifying that the pedal is in firm contact with the floor, re-tighten the screws firmly.

#### 7. Lay the DP-900's keyboard onto the stand and secure it with the screws (in four places).

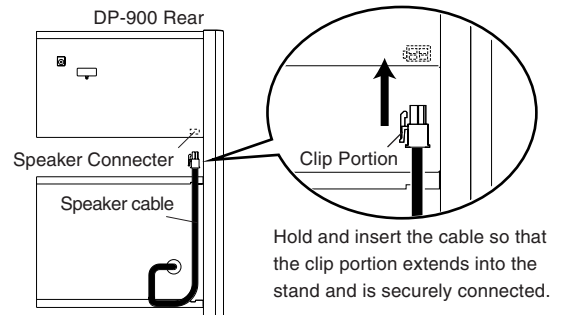
Place the keyboard so that it is centered, both front to back and left to right.

\* Take care not to allow your hands to become caught when holding the keyboard.



#### 8. Connect the speaker cable extending from the rear of the speaker box to the DP-900's speaker connector.

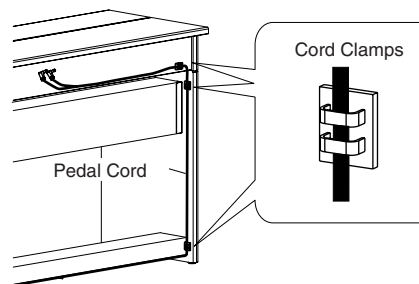
Press the speaker cable completely into the connector so that it is securely fastened.



#### 9. Connect the pedal cables to the Pedal [Damper] jack and [Soft] jack.

Connect the brown plug to the Damper jack, and the black plug to the Soft jack.

#### 10. As necessary, affix cord clamps as shown in the diagram to fasten the pedal cable.



### When Moving the Instrument

Disconnect the AC cord and cables from the DP-900. Then lift the piano while keeping it level, and move it with care, so that you do not drop it on your feet, or get your hands caught. Check the stability of the pedal, and make adjustments as necessary.

### When Disassembling

Disassemble the unit by carrying out assembly Steps 1-10 in reverse order.

### When Changing the Orientation of the Speaker Box

Be sure to completely disassemble the unit, change the speaker box orientation, then reassemble it.