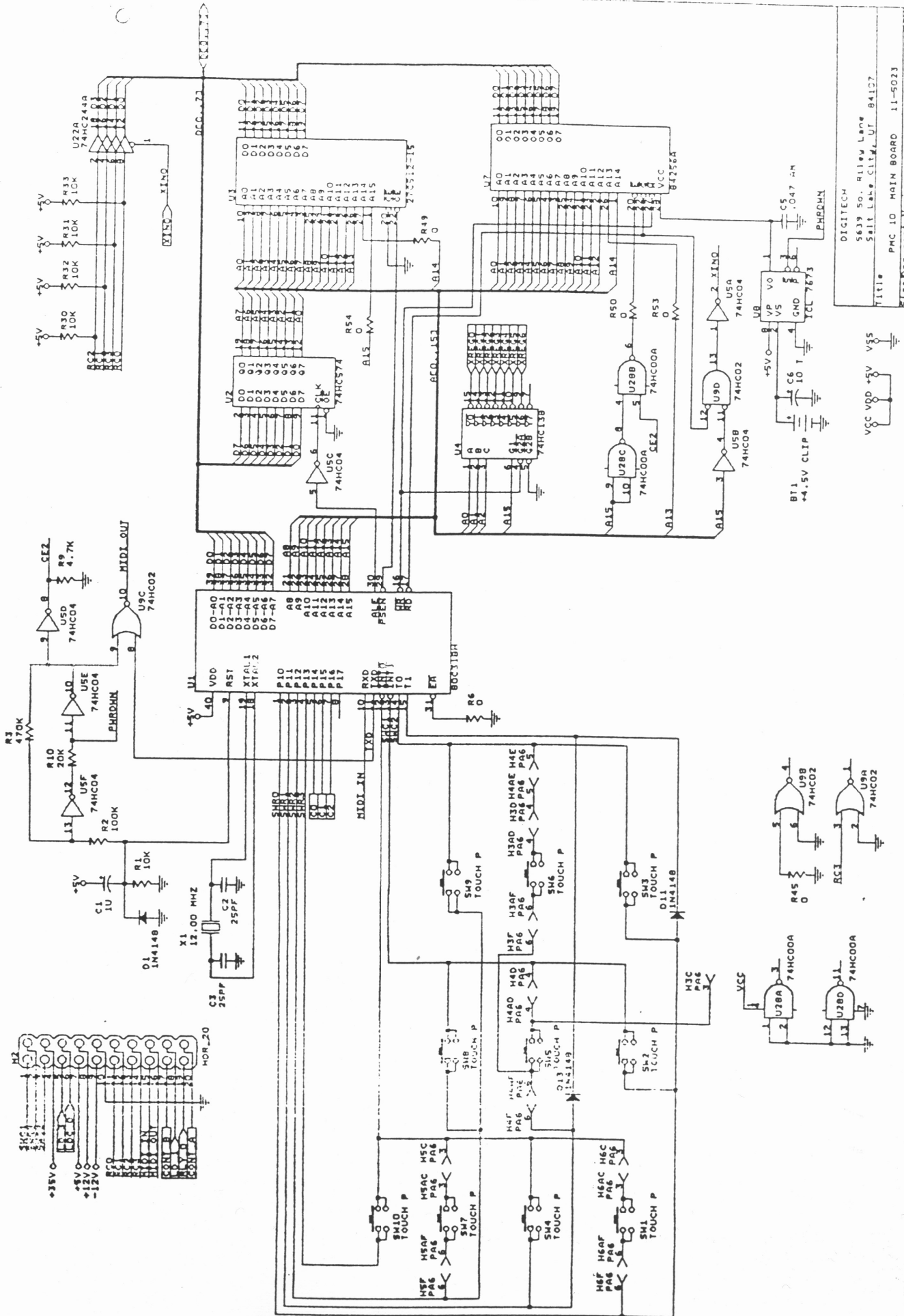


Maintaining
Original



DIGITECH
5639 So. Riley Lane
Salt Lake City, UT 84107
Title: PMC 10 MAIN BOARD 11-5023
Size: Document Number: MC1C101.SCH
Date: December 10, 1991 15:54

VCC VDD +5V VSS
BT1 +4.5V CLIP

U28A U28B U28C U28D
U9A U9B U9C U9D

R3 470K
R4 20K
R5 100K
R6 0
R7 10K
R8 4.7K
R9 10K
R10 10K
R11 10K
R12 10K
R13 10K
R14 10K
R15 10K
R16 10K
R17 10K
R18 10K
R19 0

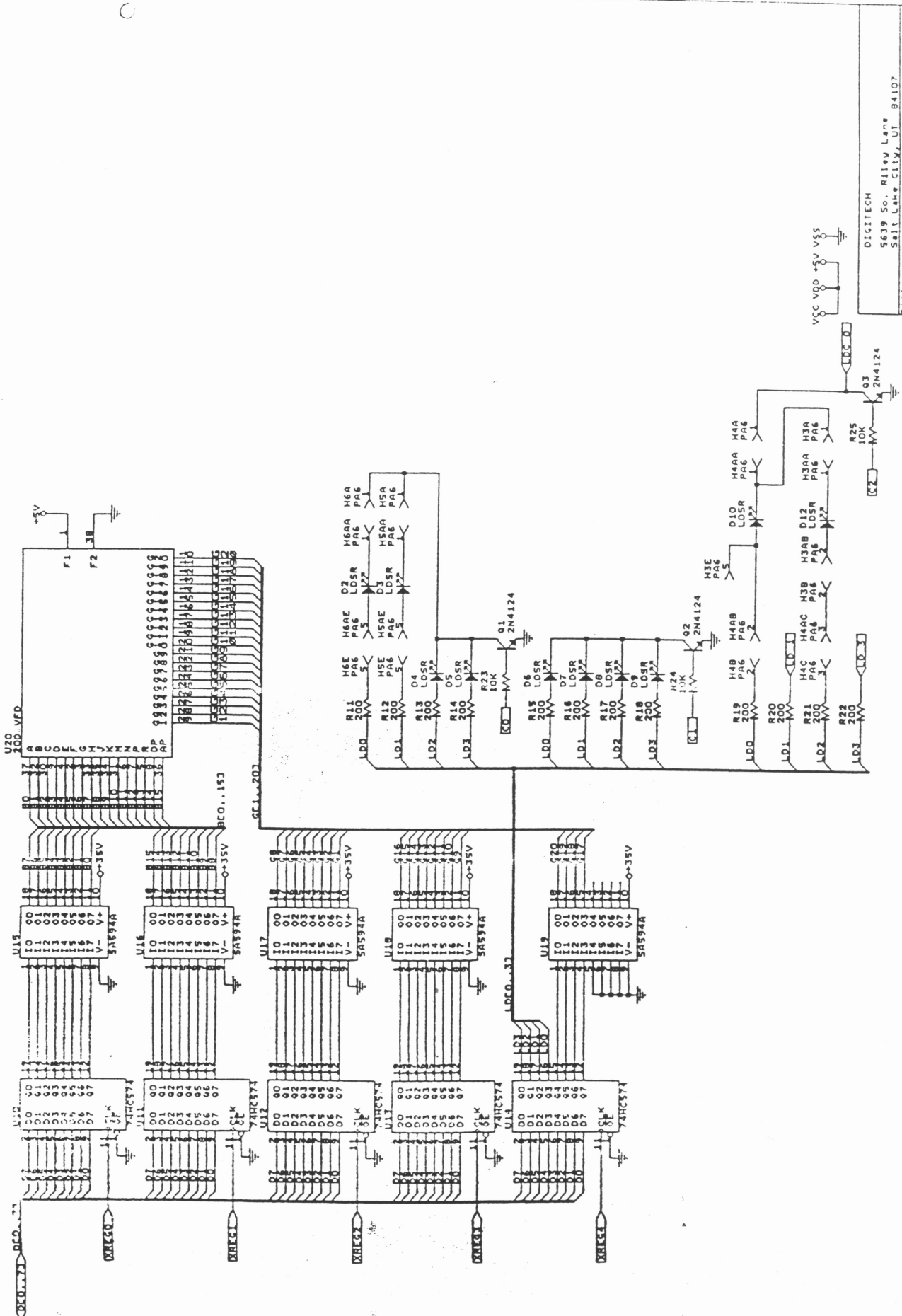
C1 1u
C2 25pF
C3 25pF
C5 .047 uM
TCL 7673

X1 12.00 MHZ
X2A X2B X2C X2D X2E X2F X2G X2H X2I X2J X2K X2L X2M X2N X2O X2P X2Q X2R X2S X2T X2U X2V X2W X2X X2Y X2Z

U1 74HC04
U2 74HC04
U3 74HC04
U4 74HC138
U5 74HC04
U6 74HC04
U7 74HC04
U8 74HC04
U9 74HC04
U10 74HC04
U11 74HC04
U12 74HC04
U13 74HC04
U14 74HC04
U15 74HC04
U16 74HC04
U17 74HC04
U18 74HC04
U19 74HC04
U20 74HC04
U21 74HC04
U22 74HC04
U23 74HC04
U24 74HC04
U25 74HC04
U26 74HC04
U27 74HC04
U28 74HC04
U29 74HC04
U30 74HC04
U31 74HC04
U32 74HC04
U33 74HC04
U34 74HC04
U35 74HC04
U36 74HC04
U37 74HC04
U38 74HC04
U39 74HC04
U40 74HC04
U41 74HC04
U42 74HC04
U43 74HC04
U44 74HC04
U45 74HC04
U46 74HC04
U47 74HC04
U48 74HC04
U49 74HC04
U50 74HC04
U51 74HC04
U52 74HC04
U53 74HC04
U54 74HC04
U55 74HC04
U56 74HC04
U57 74HC04
U58 74HC04
U59 74HC04
U60 74HC04
U61 74HC04
U62 74HC04
U63 74HC04
U64 74HC04
U65 74HC04
U66 74HC04
U67 74HC04
U68 74HC04
U69 74HC04
U70 74HC04
U71 74HC04
U72 74HC04
U73 74HC04
U74 74HC04
U75 74HC04
U76 74HC04
U77 74HC04
U78 74HC04
U79 74HC04
U80 74HC04
U81 74HC04
U82 74HC04
U83 74HC04
U84 74HC04
U85 74HC04
U86 74HC04
U87 74HC04
U88 74HC04
U89 74HC04
U90 74HC04
U91 74HC04
U92 74HC04
U93 74HC04
U94 74HC04
U95 74HC04
U96 74HC04
U97 74HC04
U98 74HC04
U99 74HC04
U100 74HC04

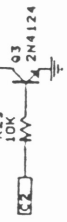
SW1 SW2 SW3 SW4 SW5 SW6 SW7 SW8 SW9 SW10 SW11 SW12 SW13 SW14 SW15 SW16 SW17 SW18 SW19 SW20 SW21 SW22 SW23 SW24 SW25 SW26 SW27 SW28 SW29 SW30 SW31 SW32 SW33 SW34 SW35 SW36 SW37 SW38 SW39 SW40 SW41 SW42 SW43 SW44 SW45 SW46 SW47 SW48 SW49 SW50 SW51 SW52 SW53 SW54 SW55 SW56 SW57 SW58 SW59 SW60 SW61 SW62 SW63 SW64 SW65 SW66 SW67 SW68 SW69 SW70 SW71 SW72 SW73 SW74 SW75 SW76 SW77 SW78 SW79 SW80 SW81 SW82 SW83 SW84 SW85 SW86 SW87 SW88 SW89 SW90 SW91 SW92 SW93 SW94 SW95 SW96 SW97 SW98 SW99 SW100

DEC_23
MIDI_IN
MIDI_OUT
MIDI_20
MIDI_19
MIDI_18
MIDI_17
MIDI_16
MIDI_15
MIDI_14
MIDI_13
MIDI_12
MIDI_11
MIDI_10
MIDI_9
MIDI_8
MIDI_7
MIDI_6
MIDI_5
MIDI_4
MIDI_3
MIDI_2
MIDI_1
MIDI_0

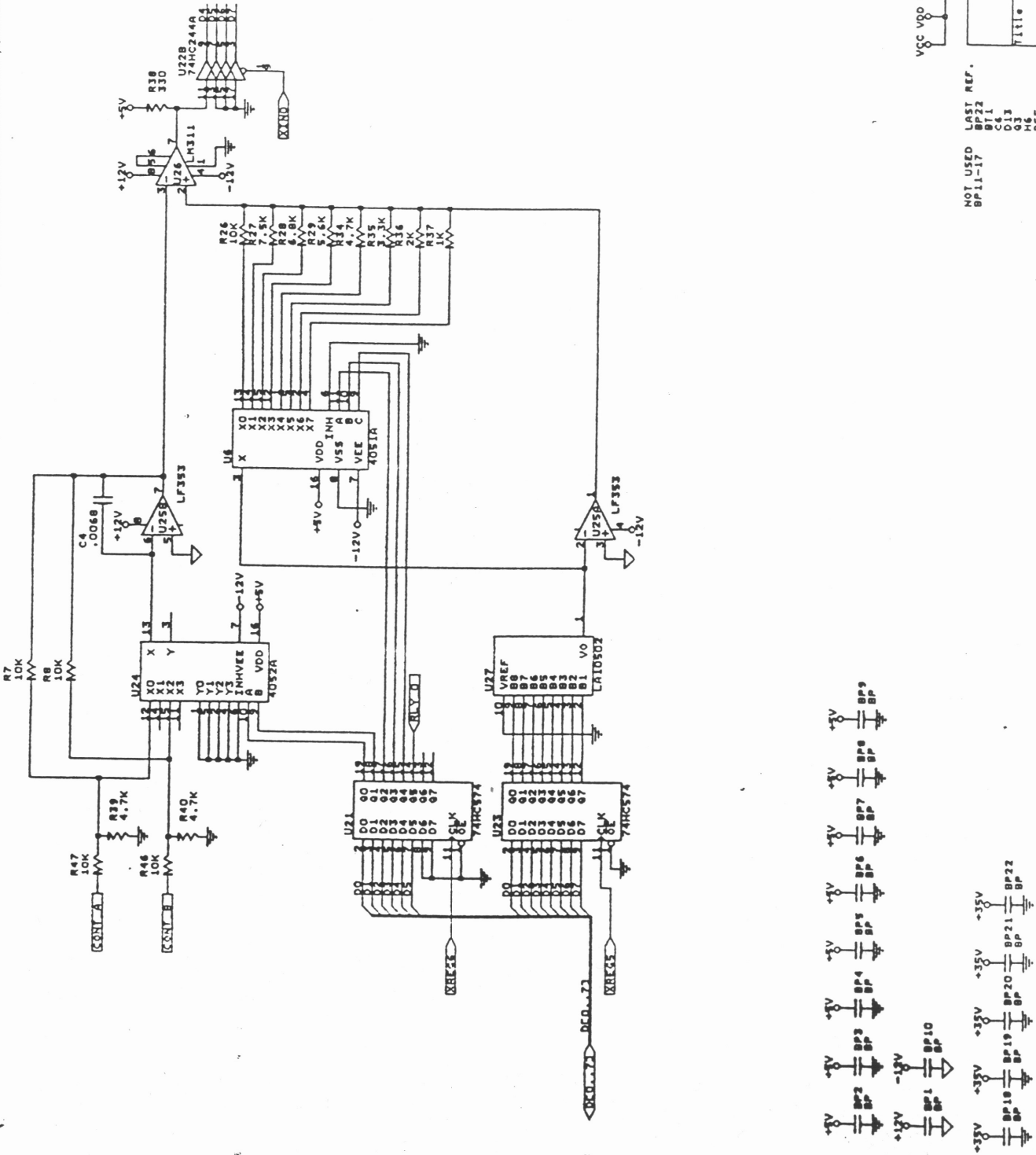


DIGITECH	
5639 So. Riley Lane	
Salt Lake City, UT 84107	
Title	PMC IO MAIN BOARD 11-5023
Size	MC10A102.SCH
Sheet	11
Date	December 30, 1991

VCC +5V VSS



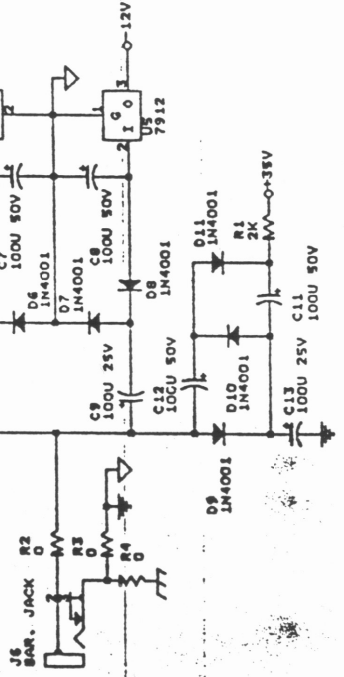
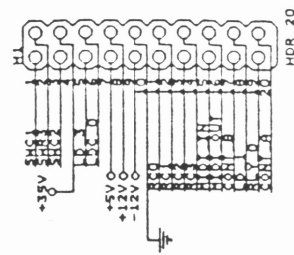
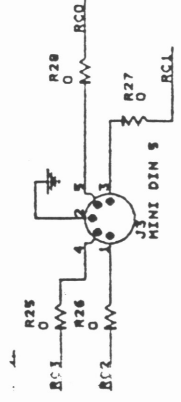
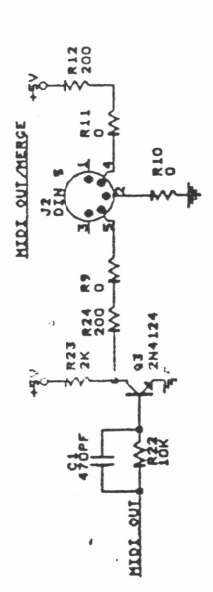
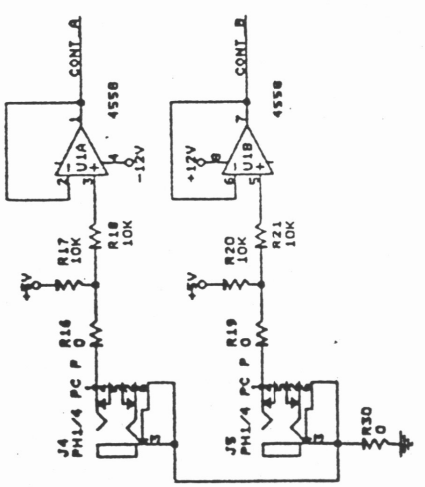
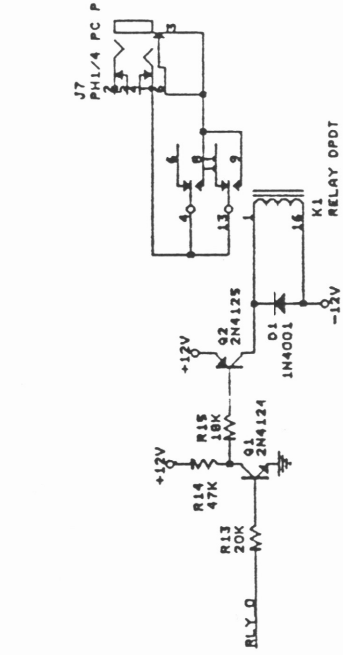
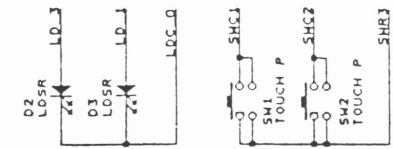
Manufacturing
Original



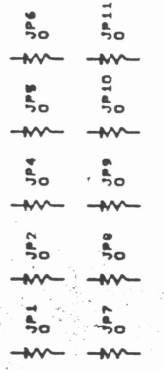
NOT USED
BP11-17
LAST REF.
BP22
C41
D13
Q3
R65
SM11
U28
X1



DICTECH	
5439 So. Riley Lane	
Salt Lake City, UT 84107	
Title	PMC IO MAIN BOARD 1.1-5023
Size Document Number	B
REV	A1
Date: December 10, 1991	Sheet 3 of 3

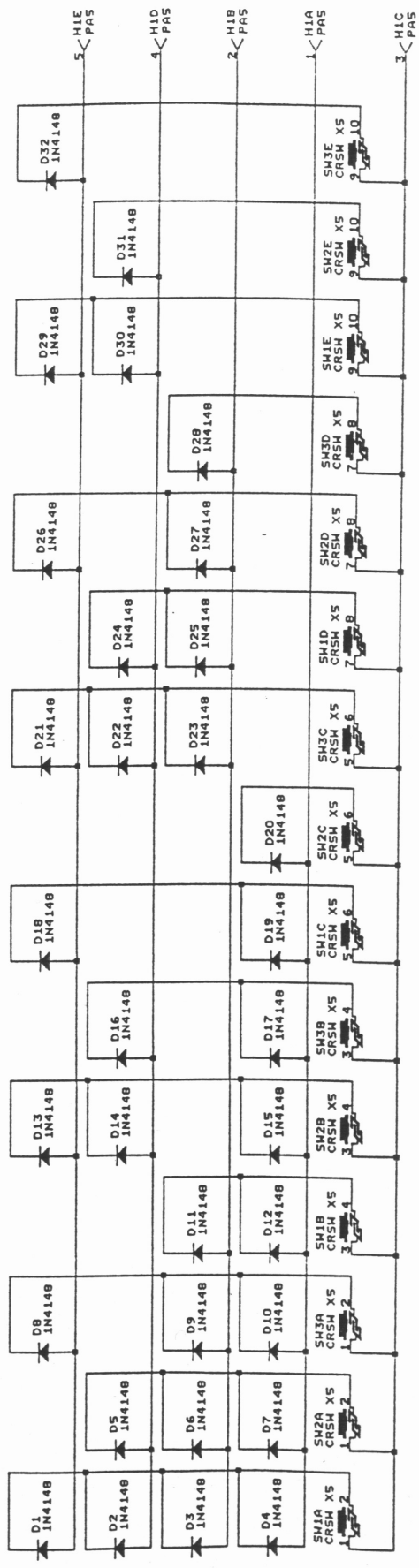


NOT USED
LAST REF.
BP3
C13
H12
J7
JP11
K1
Q3
SM2
US



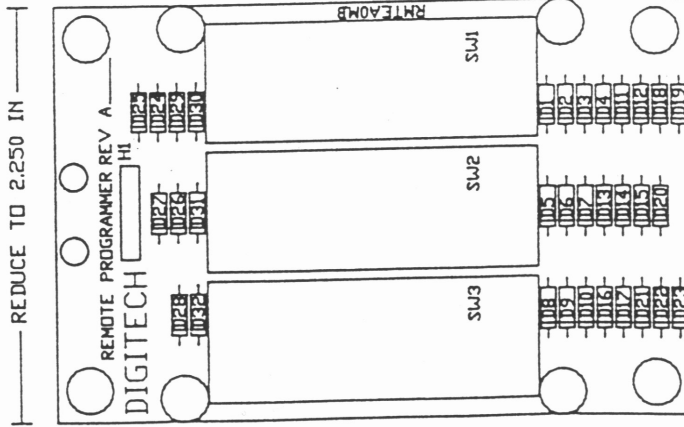
DIGITECH	
5639 So. Riley Lane	
Salt Lake City, UT 84107	
Title	PMC 10 - JACK BOARD 11-5024
Size	Document Number
Rev	MC10A0J.B.SCH
Date	November 14, 1991
Sheet	1 of 1

625



DOD Electronics Inc.
5639 So. Riley Lane
Salt Lake City, Utah 84107

Title REMOTE PROGRAMMER
Size Document Number RMTA001.SCH
B A0
Date: August 23, 1989 EHW:et 1 of 1



RMTEA0MB,PCB 10:28 25-AUG-1989 Holes | 98 OVERLAY PLOT SIZE | 16.500 x 10.500 Inch

200 Software
REMOTE PROGRAMMER
EMTEA001.SCH
Bill Of Materials
Quan Reference

Page 1

Revised: August 23, 1989

Revision: A0

15:00:53

August 23, 1989

Part Ami Samm

Description

02	D1, D2, D3, D4, D5, D6, D7, D8, D9, D10, D11, D12, D13, D14, D15, D16, D17, D18, D19, D20, D21, D22, D23, D24, D25, D26, D27, D28, D29, D30, D31, D32	1N4148	S002	SWITCHING DIODE
1	H1	FAS	???	5 PIN PAD
3	SW1, SW2, SW3	CRSW X5	P095	COND. RUBBER SW FR 7