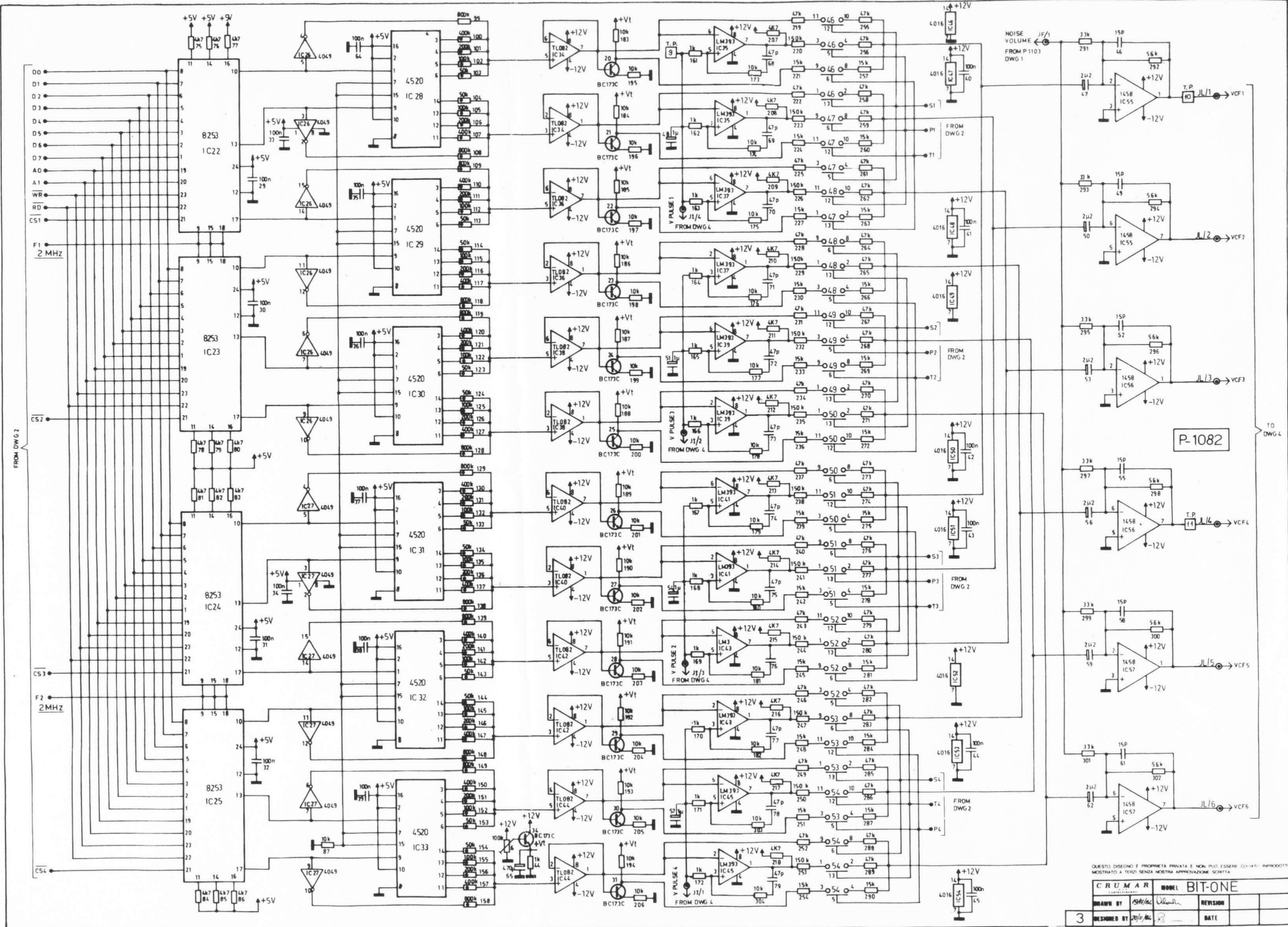


QUESTO DISEGNO È PROPRIETÀ PRIVATA E NON PUÒ ESSERE LICITAMENTE RIPRODOTTO, MOSTRATO A TERZI, SENZA NOSTRA APPROVAZIONE SCRITTA.

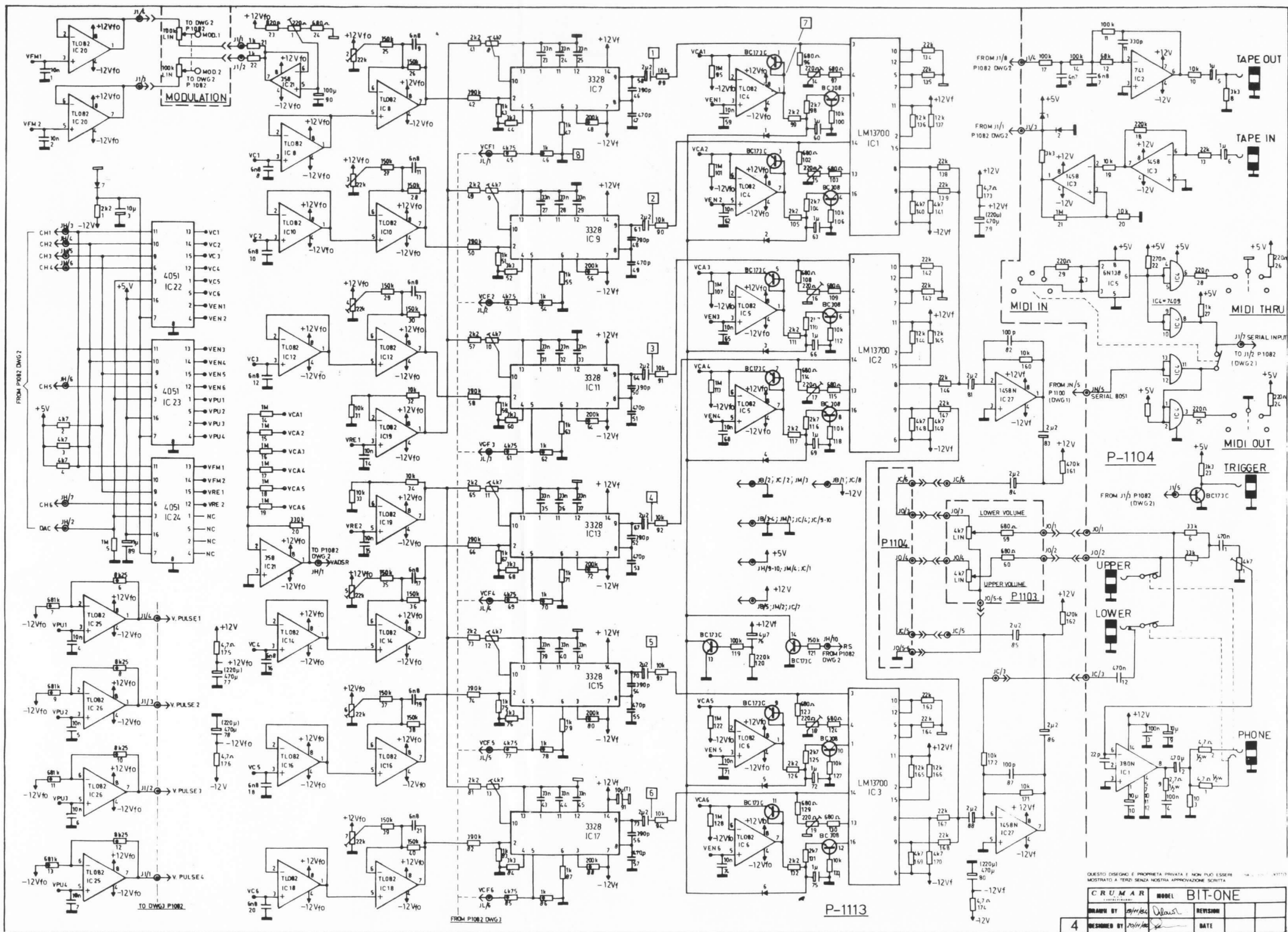
CRUMAR		MODEL BIT-ONE	
DRAWN BY	REVISION	DRAWN BY	REVISION
2			
DESIGNED BY		DATE	



P-1082

QUESTO DISSEGNO È PROPRIETÀ PRIVATA E NON PUÒ ESSERE COPIATO, RIPRODOTTO, MOSTRATO A TERZI SENZA NOSTRA APPROVAZIONE SCRITTA.

CRUMAR		MODEL BIT-ONE	
DRAWN BY	REVISION	DATE	
DESIGNED BY			



QUESTO DISEGNO È PROPRIETÀ PRIVATA E NON PUÒ ESSERE MOSTRATO A TERZI SENZA NOSTRA APPROVAZIONE SCRITTA

CRUMAR		MODEL	BIT-ONE
DRAWN BY	DESIGNED BY	REVISION	DATE
4			

## MODEL: BIT ONE

## ELECTRONIC COMPONENT LIST

Schem. Ref.	Circuit	Type	Part Code
<b>POWER SUPPLY (DWG 1)</b>			
P-1105 (Semko)	Complete with components		978002863
	Trasformer T81 Semko		18010137
P1105 (C.S.A.)	Complete with components		978002864
	Trasformer T81 CSA		18010138
PD1	Rectifier bridge	KBL04	66000006
PD2	Rectifier bridge	W02	66000001
RT1	Voltage regulator	7912	62110037
P1108	Complete with components		978002867
RT2	Voltage regulator	7812	62110027
RT3	Voltage regulator	75505	62110043
<b>DISPLAY'S BOARD (DWG 1)</b>			
P1102	Complete with components		978002860
	Double display	MAN6740	10120016
<b>KEY SWITCHES BOARD (DWG 1)</b>			
P1100	Complete with components		978002858
IC1-4-5	Non invert. Buffers	4050	68000085
IC2	Op. Ampl.	TL081	68030205
IC3	Micro	8051	68070208
<b>SWITCHES BOARD (DWG 1)</b>			
P1103	Complete with components		978002861
IC1	Quad. ex. "OR" Gate	4070	68000070
IC2	Decoder	4511	68000086
IC3	Op. Ampl.	741	68000059
IC4	Decoder	4028	68000091
TR	Transistors	BC173C	62120003
TR	Transistors	BC172B	62210003
TR	Transistors	BC337-40	62110038
TR	Transistors	SFT714	62210002
<b>MICRO BOARD (DWG 2-3)</b>			
P1082	Complete with components		978002835
IC1-2-55-56-57	Dual. Op. Ampl.	1458N	68000053
IC3-4	Non invert. Buffers.	4050	68000085
IC5-6	Master Oscillator	74LS221	68000058
IC8-9-12-14	Transparent latch	LS374	68020213
58-59			
IC10	Op. Ampl.	TL071	68030182
IC11	Dig. Analog. Converter	DAC0800	68070197
IC13	Decoders and Demultiplexers	LS138	68020153
IC15	Micro	8031	68070209
IC16	Positive "NAND" Gate	74LS00	68000117

## MODEL: BIT ONE

## ELECTRONIC COMPONENT LIST

Schem. Ref.	Circuit	Type	Part Code
<b>MICRO BOARD (DWG 2-3)</b>			
IC17	Decoders and Demultiplexers	LS139	68020215
IC18	Transparent latch	LS373	68020214
IC19	RAM	μPD449	68070216
IC20	Memory	2764a	68040211
IC21	Memory	2764b	68040211
IC22-23-24-25	Programmable Oscillator	8253	68070210
IC26-27	Inv. Buffers	4049	68010131
IC28 ÷ 33	Dual up. counters	4520	68000045
IC34-36-38-40	Dual Op. Ampl.	TL082	68030163
42-44			
IC35-37-39-41	Dual Op. Ampl.	LM393	68030222
43-45			
IC46 ÷ 54	Quad analog. switches	4016	68000072
TR	Transistors	BC173C	62120003
TR	Transistors	BC172B	62210003
<b>FILTERS BOARD (DWG 4)</b>			
P1113	Complete with components		978002872
IC1-2-3	V.C.A.	LM13700	68030219
IC4-5-6-8-10	Dual Op. Ampl.	TL082	68030163
12-14-16-18			
19-20-25-26			
IC7-9-11-13	V.C.F.	3328	68030223
15-17			
IC21	Dual Op. Ampl.	358	68000093
IC22-23-24	Analog. Multiplexers.	4051	68010154
IC27	Dual Op. Ampl.	1458N	68000053
TR	Transistors	BC173C	62120003
TR	Transistors	BC308	62210001
<b>OUTPUTS BOARD (DWG 4)</b>			
P1104	Complete with components		978002862
IC1	Amplifier	380N	68030203
IC2	Op. Ampl.	741	68000059
IC3	Dual Op. Ampl.	1458	68000054
IC4	Positive "AND" Gate	7409	68020221
IC5	Opto isolator	6N138	68070220
<b>OCTAVE TRANSFER (DWG 1)</b>			
P114	Complete with components		978002873
IC1	QUAD 2 - Input "AND" Gate	4081	68000019
IC2	QUAD 2 - Input "NAND" Schnitt Trigger	4093	68000050
IC3	QUAD 2 - Input "NAND" Gate	4011	68000034